



PARTS CATALOGUE



MS1



CM6



MT2



MDRM3

T150 (B17B) MALAYSIA

T150
PARTS CATALOGUE
©2020 by Yamaha Motor Co., Ltd.
1st edition, August 2020
All rights reserved.
Any reprinting or unauthorized use
without the written permission of
Yamaha Motor Co., Ltd.
is expressly prohibited.
Printed in Japan.

FOREWORD

This Parts Catalogue is related to the parts for the model(s) on the cover page. When you are ordering replacement parts, please refer to this Parts Catalogue and quote both part numbers and part names correctly.

1. Modifications or additions which have been made after the issue of the Parts Catalogue will be announced in the Parts News.
It is advisable that you make the necessary corrections to the Parts Catalogue according to the Parts News.

2. Abbreviations

The following abbreviations are used in this Parts Catalogue.

“UR” Use specified parts number.

“UN” Use as many as needed.

“AP” Alternate Parts

“LM” Locally Made (Parts need to be ordered locally)

“F#” Frame No. (Applicable machine No.)

“O/S” Over Size

3. The number of components for assembly

- Parts, which are to be supplied in an assembly, are listed with a dot (.) in front of the part name as shown below.
- The numeral appearing to the right of each component part indicates the quantity of parts for each assembly unit.

PART NO.	DESCRIPTION	Q'TY	REMARKS
2F5-83310-60	FRONT FLASHER LIGHT ASSY	2	
115-83311-60	.BULB (6V-18W)	1	

4. Applicable colours of graphics are represented in the “REMARKS” as shown below.

PART NO.	DESCRIPTION	Q'TY	REMARKS
2N4-24110-00-X5	FUEL TANK COMP.	2	MXR
3J1-24240-10	.GRAPHIC, FUEL TANK	1	FOR MXR

5. Note that the illustrations for reference in finding parts numbers are not to be used for assembling. When assembling, please use the applicable service manual.

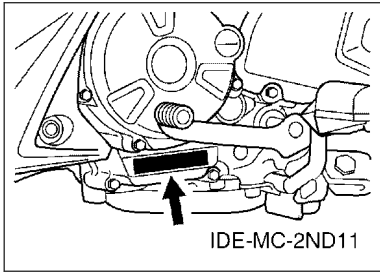
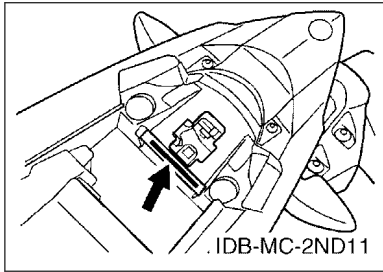
6. The asterisk (*) before a reference number indicates modified items after the first edition.

FOREWORD

7. Applicable Serial No.

Frame Serial No.

Engine Serial No.



8. Applicable Colour Code (The (*) mark shows Model colour.)

Abbreviation	Colour Name	Colour Code
CM6(*)	CYAN METALLIC 6	1344
MBL2	MAT BLACK 2	0582
MDRM3(*)	MAT DEEP RED METALLIC 3	1258
MS1(*)	MAT SILVER 1	1160
MT2(*)	MAT TITAN 2	0826
SMX	BLACK METALLIC X	0903
VPBC5	VIVID PURPLISH BLUE COCKTAIL 5	1177
YB	YAMAHA BLACK	0033

9. Applicable Starting Serial No.

Frame Serial No.

Serial No.	Name Of Q'ty Column	Model Code

Engine Serial No.

Serial No.	Name Of Q'ty Column	Model Code

CONTENTS

ENGINE

CYLINDER HEAD.....	1
CRANKSHAFT & PISTON.....	2
VALVE.....	4
CAMSHAFT & CHAIN.....	5
WATER PUMP.....	6
RADIATOR & HOSE.....	7
OIL PUMP.....	8
INTAKE.....	9
EXHAUST.....	11
CRANKCASE.....	12
CRANKCASE COVER 1.....	13
STARTER CLUTCH.....	14
CLUTCH.....	15
TRANSMISSION.....	16
SHIFT CAM & FORK.....	18
SHIFT SHAFT.....	19

CHASSIS

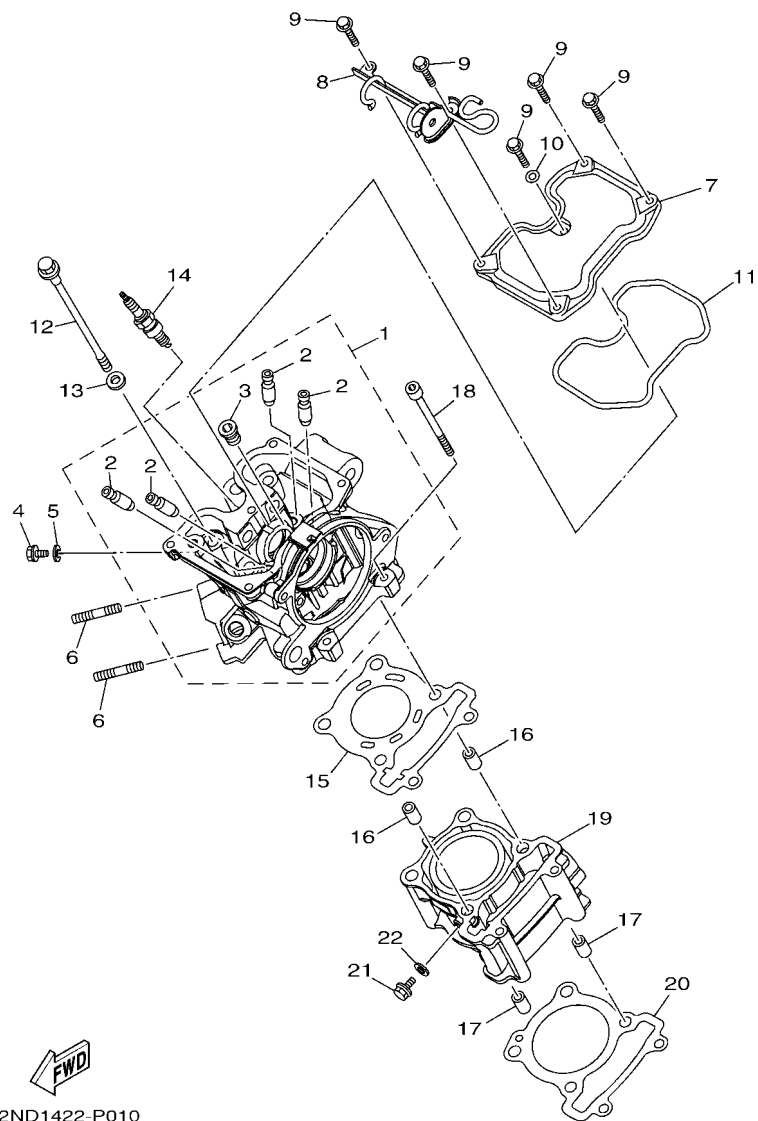
FRAME.....	20
FENDER.....	21
SIDE COVER.....	22
REAR ARM & SUSPENSION.....	24
STEERING.....	25
FRONT FORK.....	26
FUEL TANK.....	28
SEAT.....	29
FRONT WHEEL.....	30
FRONT BRAKE CALIPER.....	31
REAR WHEEL.....	32
REAR BRAKE CALIPER.....	34
STEERING HANDLE & CABLE.....	35
FRONT MASTER CYLINDER.....	37
STAND & FOOTREST.....	38
REAR MASTER CYLINDER.....	40
LEG SHIELD.....	42
GENERATOR.....	46
STARTING MOTOR.....	47
FLASHER LIGHT.....	48
METER.....	49

HEADLIGHT.....	50
TAILLIGHT.....	51
HANDLE SWITCH & LEVER.....	52
ELECTRICAL 1.....	53
ELECTRICAL 2.....	54

INDEX

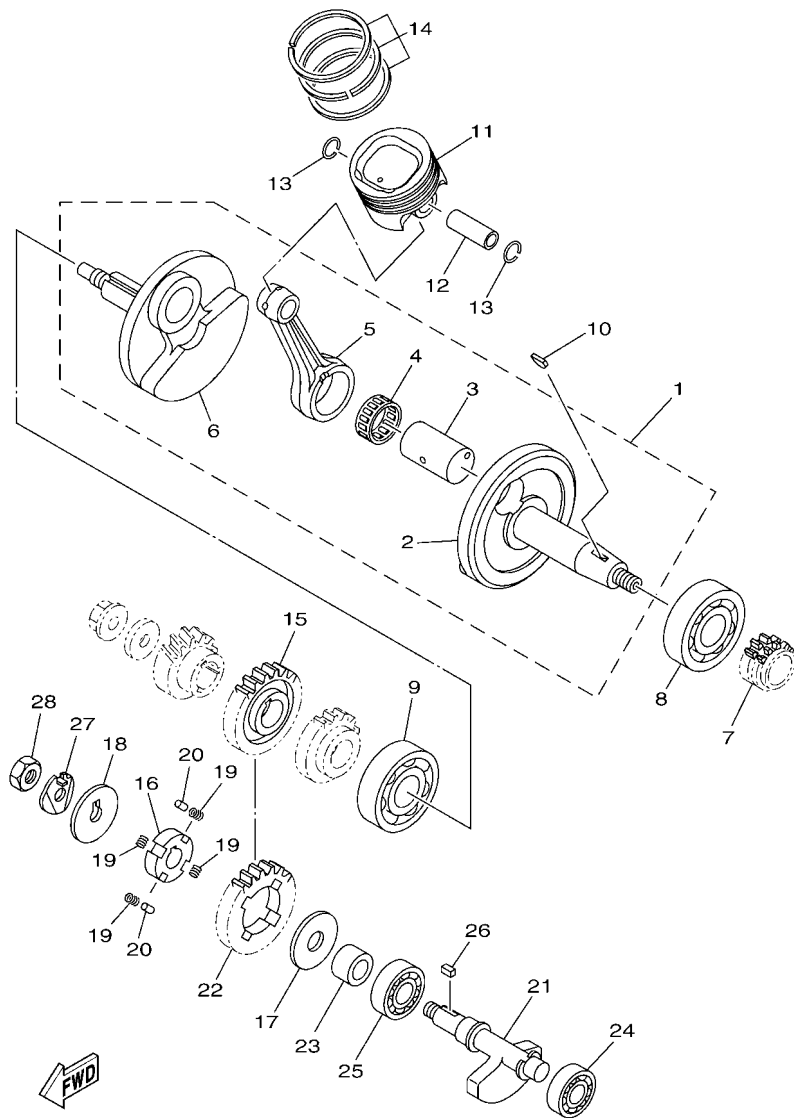
NUMERICAL INDEX.....	55
----------------------	----

FIG. 1 CYLINDER HEAD



2ND1422-P010

REF. NO.	PART NO.	DESCRIPTION	B17/B				REMARKS
1	B17-E1102-00	CYLINDER HEAD ASSY	1				
2	1S7-E1133-10	.GUIDE, VALVE 1	4				
3	90340-12813	.PLUG, STRAIGHT SCREW	1				
4	95E32-06010	BOLT, FLANGE DEEP RECESS	1				
5	90430-06803	GASKET	1				
6	95612-08630	BOLT, STUD	2				
7	B17-E1191-00	COVER, CYLINDER HEAD 1	1				
8	2PV-E2443-00	STAY	1				
9	95E32-06020	BOLT, FLANGE DEEP RECESS	5				
10	90430-06803	GASKET	1				
11	2PV-E1193-00	GASKET, HEAD COVER 1	1				
12	2PV-E1361-00	BOLT, CYLINDER HOLDING 1	4				
13	90201-08859	WASHER, PLATE	4				
14	94700-00330	PLUG, SPARK (NGK R CR8E)	1				
15	2PV-E1181-00	GASKET, CYLINDER HEAD 1	1				
16	91810-14809	PIN, DOWEL	2				
17	91810-14809	PIN, DOWEL	2				
18	91312-06100	BOLT, HEXAGON SOCKET HEAD	2				
19	2PV-E1311-10	CYLINDER 1	1				
20	1S8-E1351-00	GASKET, CYLINDER	1				
21	95E32-06010	BOLT, FLANGE DEEP RECESS	1				
22	90430-06803	GASKET	1				

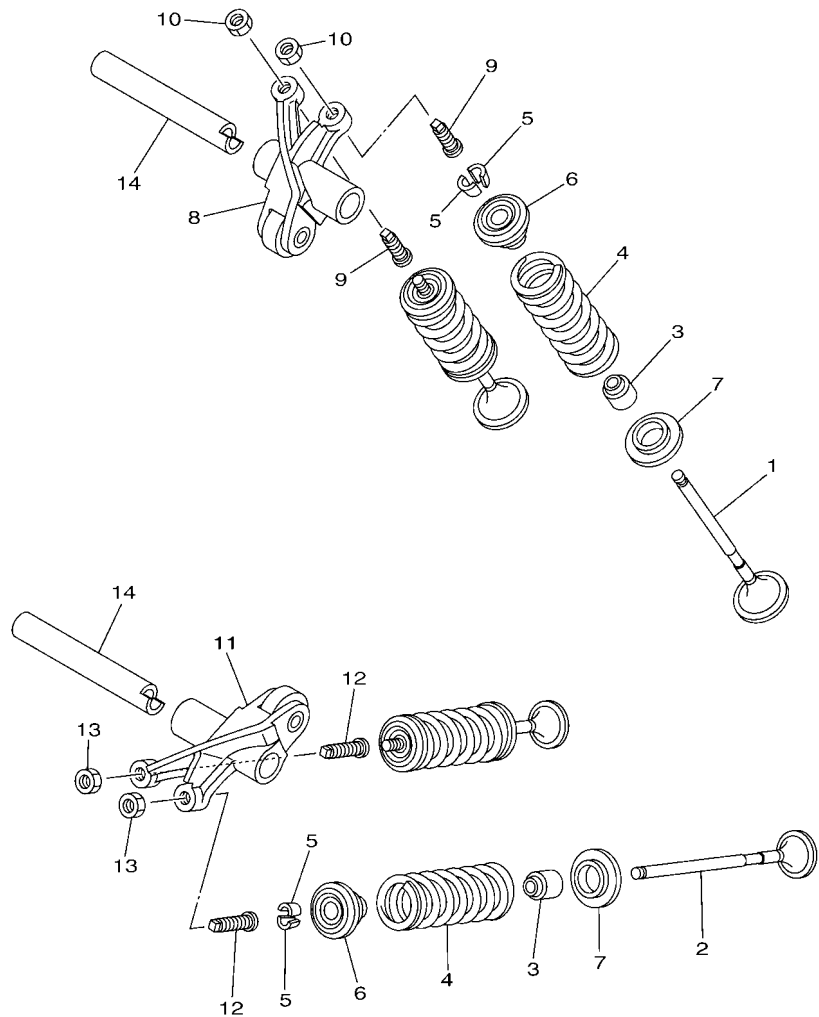


1PA1460-M021

FIG. 2 CRANKSHAFT & PISTON

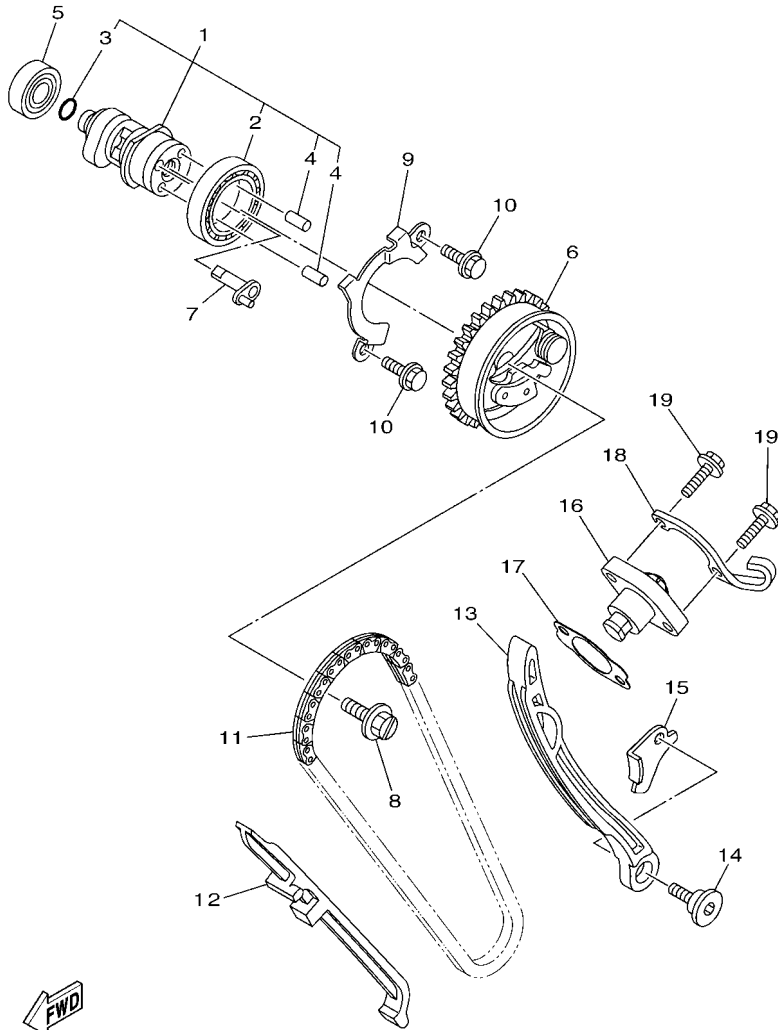
REF. NO.	PART NO.	DESCRIPTION	B17/B				REMARKS
1	B17-E1400-00	CRANKSHAFT ASSY	1				
2	B17-E1412-00	.CRANK 1	1				UR
	2ND-E1412-00	.CRANK 1	1				UR
3	3C1-E1681-10	.PIN, CRANK 1	1				
4	93310-528YK	.BEARING	1				
5	3C1-E1651-11	.ROD, CONNECTING	1				
6	B17-E1422-00	.CRANK 2	1				UR
	2ND-E1422-00	.CRANK 2	1				UR
7	3C1-E1549-10	SPROCKET, CAM CHAIN	1				
8	93306-305XP	BEARING	1				UR
	93306-305YF	BEARING	1				UR
9	93306-305XR	BEARING	1				UR
	93306-305X7	BEARING	1				UR
10	90280-03017	KEY, WOODRUFF	1				
11	2ND-E1631-00	PISTON (STD)	1				
12	2ND-E1633-00	PIN, PISTON	1				
13	93450-16115	CIRCLIP	2				
14	2PV-E1603-00	PISTON RING SET (STD)	1				
15	BK6-E1536-00	GEAR, DRIVE	1				
16	21C-E1496-20	BOSS, BUFFER	1				
17	90201-15821	WASHER, PLATE	1				
18	90214-10800	WASHER, CLAW	1				
19	90501-16800	SPRING, COMPRESSION	4				
20	93604-08071	PIN, DOWEL	2				
21	2FB-E1454-00	WEIGHT 1	1				
22	BK6-E1531-00	GEAR, BALANCE WEIGHT	1				
23	90387-15810	COLLAR	1				

FIG. 3 VALVE



1PA1460-M030

REF. NO.	PART NO.	DESCRIPTION	B17B				REMARKS
1	2PV-E2111-00	VALVE, INTAKE	2				
2	2PV-E2121-00	VALVE, EXHAUST	2				
3	1PA-E2119-00	SEAL, VALVE STEM	4				
4	B48-E2113-00	SPRING, VALVE INNER	4				
5	3S0-E2118-00	LOCK, VALVE SPRING RETAINER	8				
6	1PA-E2117-00	RETAINER, VALVE SPRING	4				
7	55P-E2126-00	SEAT, VALVE SPRING 2	4				
8	2ND-E2151-00	ARM, VALVE ROCKER	1				
9	2ND-E2159-00	SCREW, VALVE ADJUSTING	2				
10	90170-05803	NUT	2				
11	2ND-E2161-00	ARM, VALVE ROCKER 2	1				
12	2ND-E2159-00	SCREW, VALVE ADJUSTING	2				
13	90170-05803	NUT	2				
14	1CK-E2156-00	SHAFT, ROCKER 2	2				

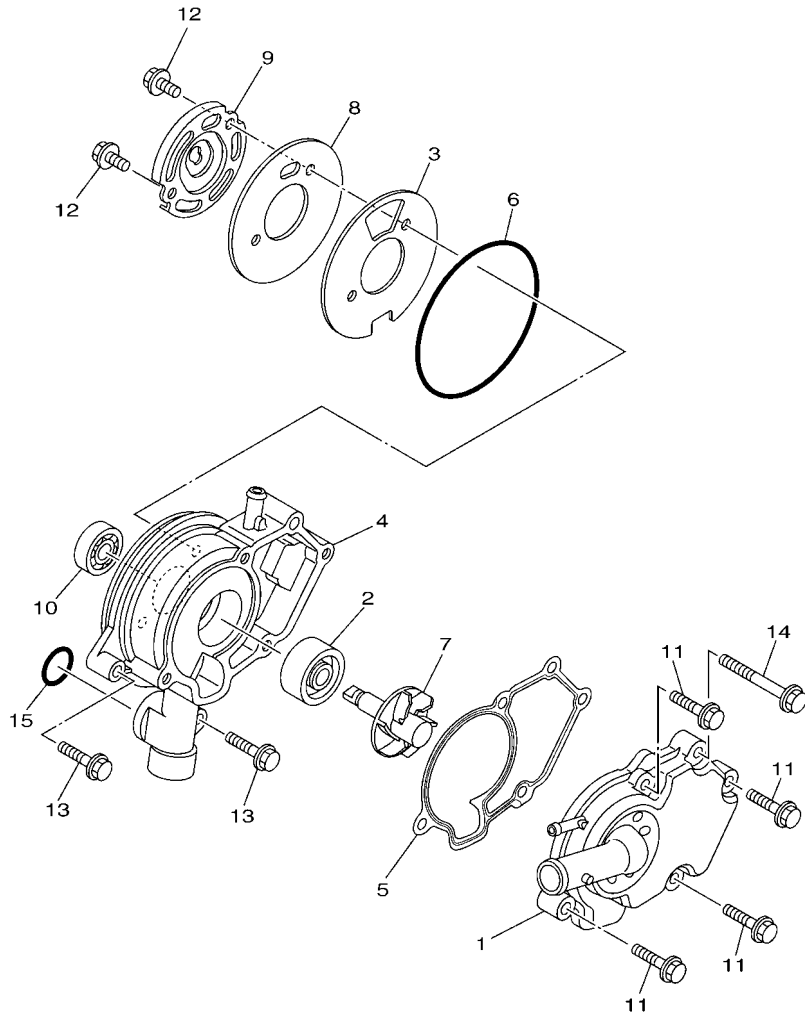


2ND1422-P040

FIG. 4 CAMSHAFT & CHAIN

REF. NO.	PART NO.	DESCRIPTION	B17/B				REMARKS
1	2PV-E2170-00	CAMSHAFT ASSY 1	1				
2	93306-906Y4	.BEARING	1				
3	93210-09806	.O-RING	1				
4	93605-06800	.PIN, DOWEL	2				
5	93306-001X6	BEARING	1				
6	2PV-E2280-00	DECOMPRESSION ASSY	1				
7	1S7-E2288-00	CAM, DECOMPRESSION	1				
8	5YP-E2157-01	BOLT	1				
9	1S8-E111F-00	PLATE	1				
10	95E32-06010	BOLT, FLANGE DEEP RECESS	2				
11	94568-H4096	CHAIN	1				
12	1PA-E2231-00	GUIDE, STOPPER 1	1				
13	2PV-E2241-00	GUIDE, STOPPER 2	1				
14	52B-E2228-00	BOLT	1				
15	3C1-E2256-00	COVER, CHAIN	1				
16	2ND-E2210-20	TENSIONER ASSY, CAM CHAIN	1				
17	2PV-E2213-00	GASKET, TENSIONER CASE	1				
18	2PV-E5441-00	HOLDER, CLUTCH CABLE	1				
19	95E32-06025	BOLT, FLANGE DEEP RECESS	2				

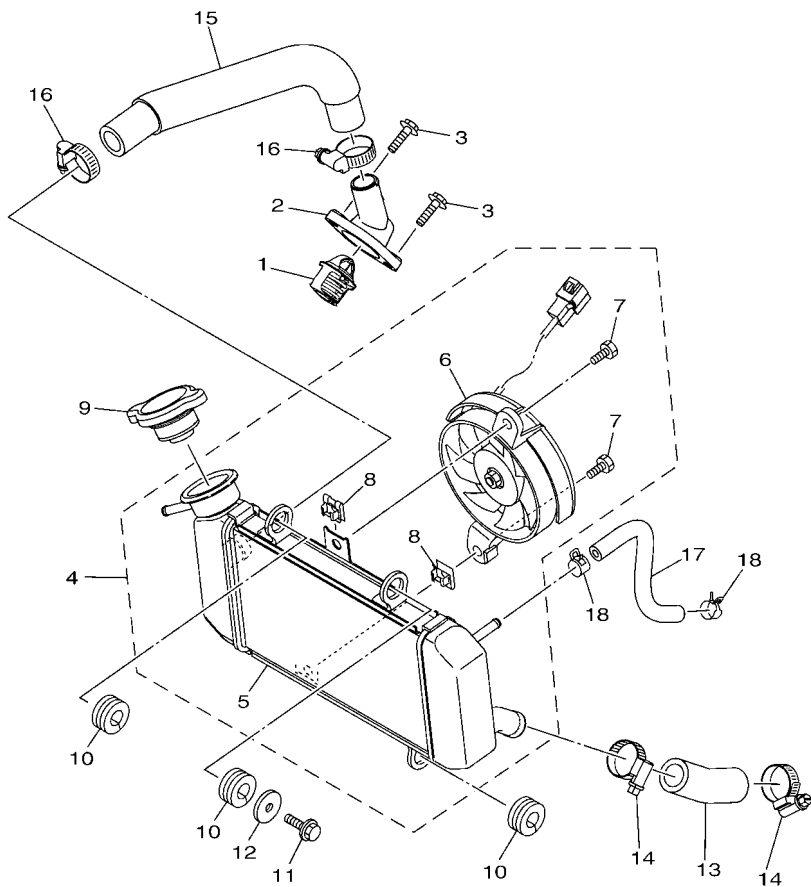
FIG. 5 WATER PUMP




2ND1422-P050

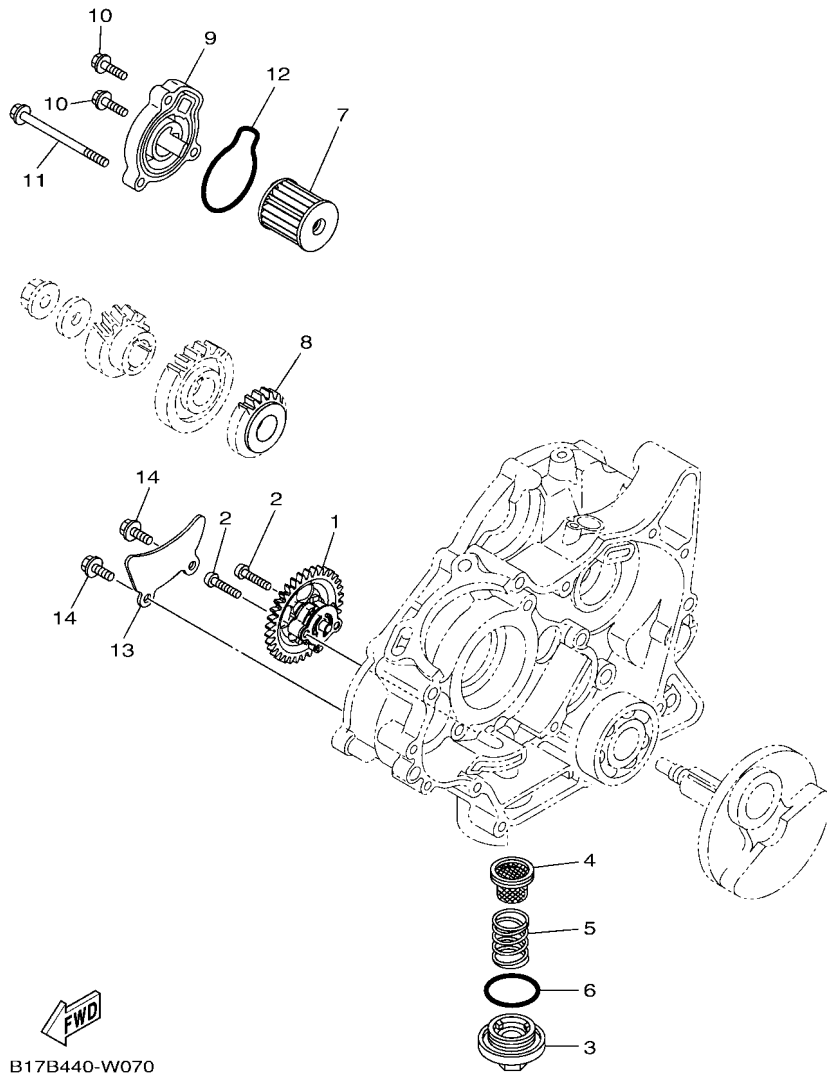
REF. NO.	PART NO.	DESCRIPTION	B17B				REMARKS
1	2PV-E2422-00	COVER, HOUSING	1				
2	B63-E2223-00	SEAL	1				
3	2PV-E2428-00	GASKET, HOUSING COVER 2	1				
4	2PV-E1185-00	COVER, CYLINDER HEAD SIDE 3	1				
5	2ND-E1196-00	GASKET, CYLINDER HEAD SIDE	1				
6	93210-84804	O-RING	1				
7	1S7-E2450-01	IMPELLER SHAFT ASSY	1				
8	1S7-E1951-00	PLATE	1				
9	1S7-E1952-02	PLATE	1				
10	93306-000Y3	BEARING	1				
11	95022-06025	BOLT, FLANGE	4				
12	95022-06012	BOLT, FLANGE	2				
13	95E32-06025	BOLT, FLANGE DEEP RECESS	2				
14	95E32-06050	BOLT, FLANGE DEEP RECESS	1				
15	93210-19809	O-RING	1				

FIG. 6 RADIATOR & HOSE



FWD
B176440-U060

REF. NO.	PART NO.	DESCRIPTION	B176				REMARKS
1	5YP-12411-00	THERMOSTAT	1				
2	1S8-E2413-00	COVER, THERMOSTAT	1				
3	95E32-06020	BOLT, FLANGE DEEP RECESS	2				
4	2ND-E240A-10	RADIATOR ASSY	1				
5	2ND-E2461-00	.RADIATOR COMP	1				
6	2ND-E2405-10	.BLOWER ASSY	1				
7	2ND-E2675-00	.BOLT, BLOWER HOLDING	2				
8	2ND-E2671-00	.NUT 1	2				
9	2ND-E2590-10	CONDUCTION ASSY	1				
10	90480-15808	GROMMET	3				
11	95D32-06016	BOLT, FLANGE DEEP RECESS	1				
12	90201-06880	WASHER, PLATE	1				
13	B17-E2481-00	PIPE 1	1				
14	90450-27806	HOSE CLAMP ASSY	2				
15	B17-E2482-00	PIPE 2	1				
16	90450-27806	HOSE CLAMP ASSY	2				
17	2PV-E2576-00	HOSE 1	1				
18	90467-10805	CLIP	2				



B17B440-W070

FIG. 7 OIL PUMP

REF. NO.	PART NO.	DESCRIPTION	B17B				REMARKS
1	2PV-E3300-01	OIL PUMP ASSY	1				
2	98502-05025	SCREW, PAN HEAD	2				
3	1S8-E5351-00	PLUG, DRAIN	1				
4	38B-E3411-00	STRAINER, OIL	1				
5	90501-18576	SPRING, COMPRESSION	1				
6	93210-34802	O-RING	1				
7	38B-E3440-01	ELEMENT ASSY, OIL CLEANER	1				
8	2PV-E3324-00	GEAR, PUMP DRIVE	1				
9	55C-E3447-00	COVER, OIL ELEMENT	1				
10	95E32-06020	BOLT, FLANGE DEEP RECESS	2				
11	95E32-06080	BOLT, FLANGE DEEP RECESS	1				
12	93210-54805	O-RING	1				
13	3C1-E3327-00	COVER, PUMP GEAR	1				
14	95E32-06012	BOLT, FLANGE DEEP RECESS	2				

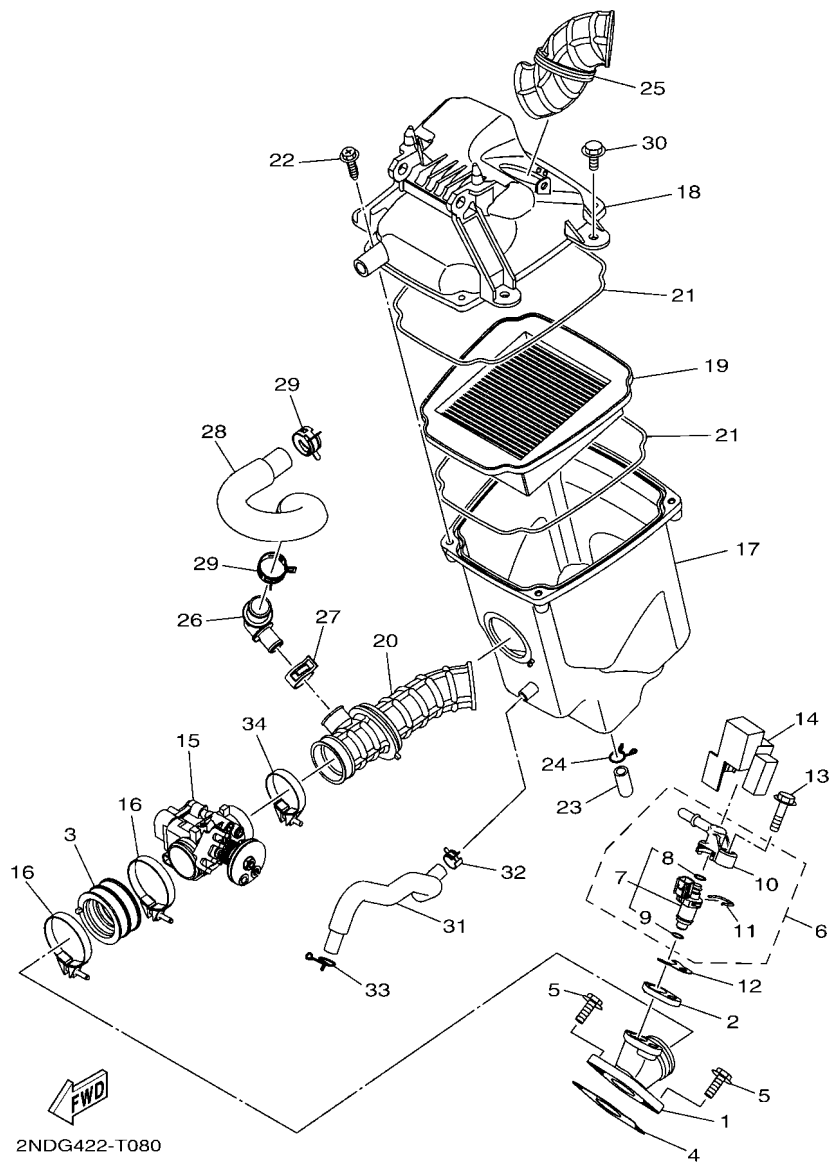
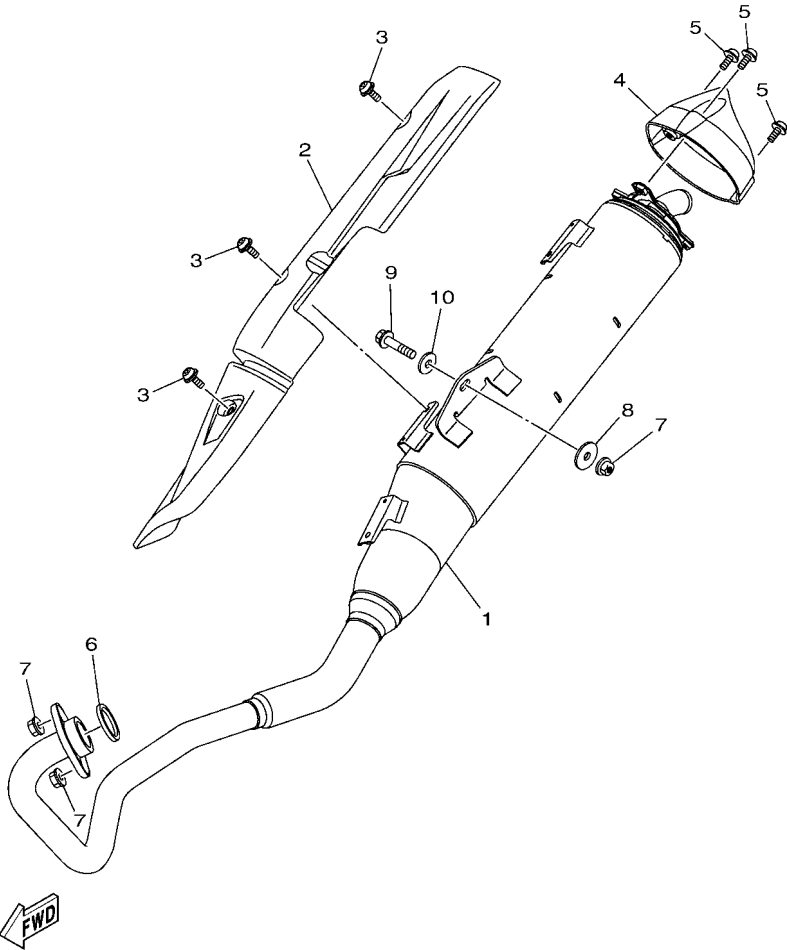


FIG. 8 INTAKE

REF. NO.	PART NO.	DESCRIPTION	B17/B				REMARKS
1	2PV-E3585-00	MANIFOLD	1				
2	2FB-E3556-00	GASKET, MANIFOLD	1				
3	1PA-E3635-00	JOINT, INTAKE 1	1				
4	2PV-E4199-00	GASKET	1				
5	95E32-06020	BOLT, FLANGE DEEP RECESS	2				
6	BB8-E3770-10	INJECTOR ASSY	1				
7	BB8-E3761-10	.INJECTOR	1				
8	54P-E4147-00	..O-RING	1				
9	5CA-E4147-00	..O-RING	1				
10	54P-E3938-00	.PIPE	1				
11	54P-E4137-00	.CLIP	1				
12	2PV-E3557-00	GASKET	1				
13	95812-06030	BOLT, FLANGE	1				
14	BK6-E3767-00	CAP, INJECTOR	1				
15	2PV-E3750-01	THROTTLE BODY ASSY	1				
16	90450-48803	HOSE CLAMP ASSY	2				
17	2PV-E4411-00	CASE, AIR CLEANER 1	1				
18	2PV-E4412-00	CAP, CLEANER CASE 1	1				
19	2PV-E4450-00	ELEMENT ASSY, AIR CLEANER	1				
20	2PV-E4453-00	JOINT, AIR CLEANER 1	1				
21	3C1-E4452-00	SEAL	2				
22	90163-05803	SCREW, TAPPING	4				
23	5TL-E443E-00	PIPE, DRAIN	1				
24	90467-12800	CLIP	1				
25	2PV-E4437-10	DUCT	1				
26	3C1-E4485-00	PIPE, JOINT	1				
27	90467-20804	CLIP	1				

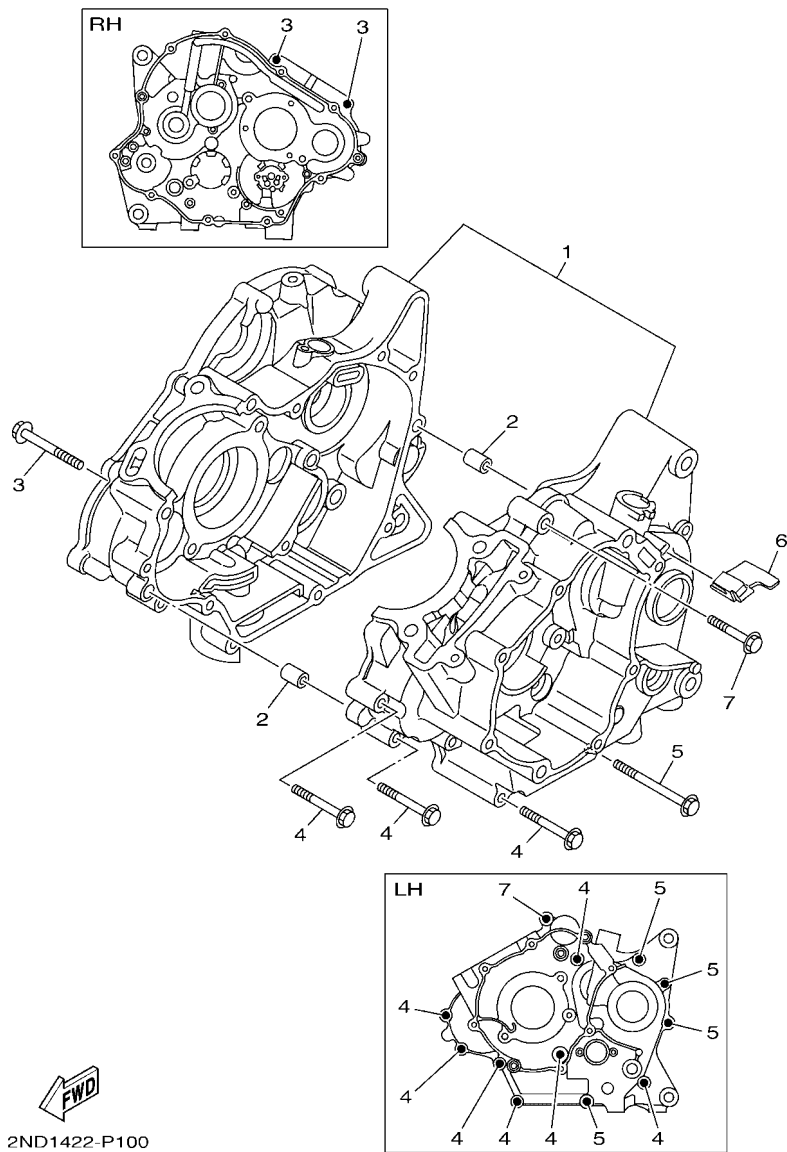
FIG. 9 EXHAUST



B178440-U090

REF. NO.	PART NO.	DESCRIPTION	B17/B				REMARKS
1	B17-E4703-00	MUFFLER COMP. 1	1				
2	B17-E4718-00	PROTECTOR, MUFFLER 1	1				
3	90111-06807	BOLT,HEX. SOCKET BUTTON	3				
4	B17-E4799-00	CAP	1				
5	90111-06807	BOLT,HEX. SOCKET BUTTON	3				
6	1S8-E4613-00	GASKET, EXHAUST PIPE	1				
7	95702-08500	NUT, FLANGE	3				
8	90201-08612	WASHER, PLATE	1				
9	95D32-08040	BOLT, FLANGE DEEP RECESS	1				
10	90201-08730	WASHER, PLATE	1				

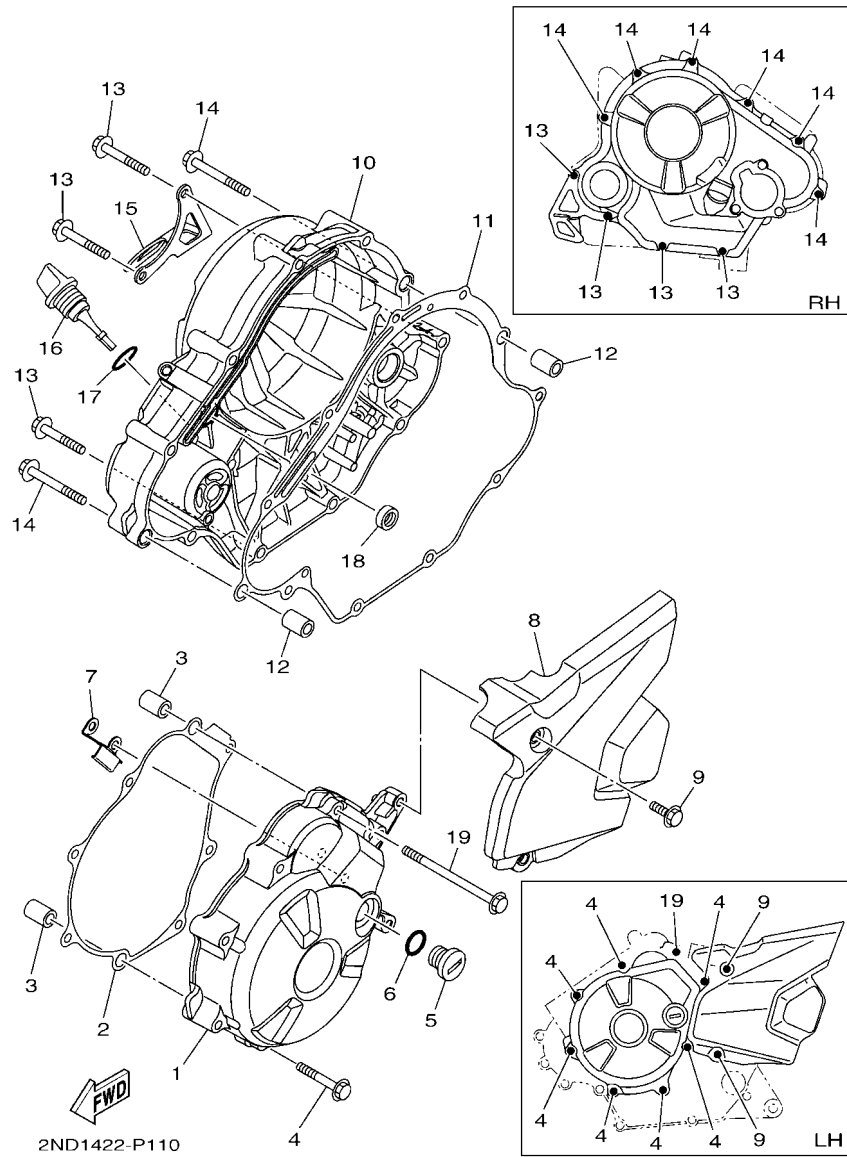
FIG. 10 CRANKCASE



REF. NO.	PART NO.	DESCRIPTION	B17/B				REMARKS
1	B17-E5150-00	CRANKCASE ASSY	1				
2	91810-14809	PIN, DOWEL	2				
3	95E32-06055	BOLT, FLANGE DEEP RECESS	2				
4	95E32-06045	BOLT, FLANGE DEEP RECESS	7				
5	95E32-06070	BOLT, FLANGE DEEP RECESS	4				
6	55P-E5377-00	GUIDE, INLET	1				
7	95E32-06040	BOLT, FLANGE DEEP RECESS	1				

2ND1422-P100

FIG. 11 CRANKCASE COVER 1



REF. NO.	PART NO.	DESCRIPTION	B17/B				REMARKS
1	B17-E5411-00	COVER, CRANKCASE 1	1				
2	2PV-E5451-00	GASKET, CRANKCASE COVER 1	1				
3	91810-14809	PIN, DOWEL	2				
4	95E32-06040	BOLT, FLANGE DEEP RECESS	7				
5	90340-14824	PLUG, STRAIGHT SCREW	1				
6	93210-148F8	O-RING	1				
7	2PV-E5113-00	PLATE	1				
8	B17-E5418-00	COVER, CHAIN CASE	1				
9	95E32-06016	BOLT, FLANGE DEEP RECESS	2				
10	B17-E5421-00	COVER, CRANKCASE 2	1				
11	2PV-E5461-00	GASKET, CRANKCASE COVER 2	1				
12	91810-14809	PIN, DOWEL	2				
13	95E32-06040	BOLT, FLANGE DEEP RECESS	4				
14	95E32-06050	BOLT, FLANGE DEEP RECESS	6				
15	B17-E5142-00	GUIDE 1	1				
16	3C1-E5362-00	PLUG, OIL LEVEL	1				
17	93210-19809	O-RING	1				
18	93101-10843	OIL SEAL	1				
19	95E32-06090	BOLT, FLANGE DEEP RECESS	1				

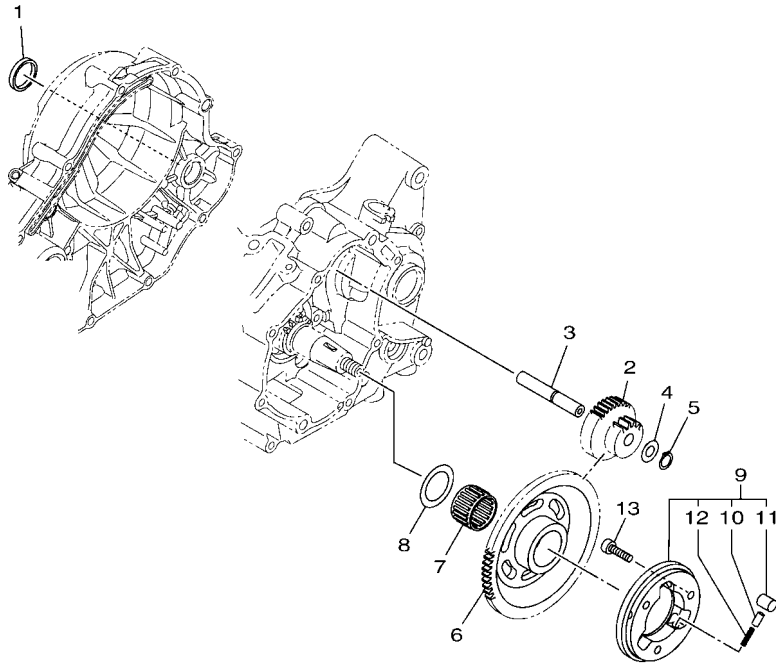


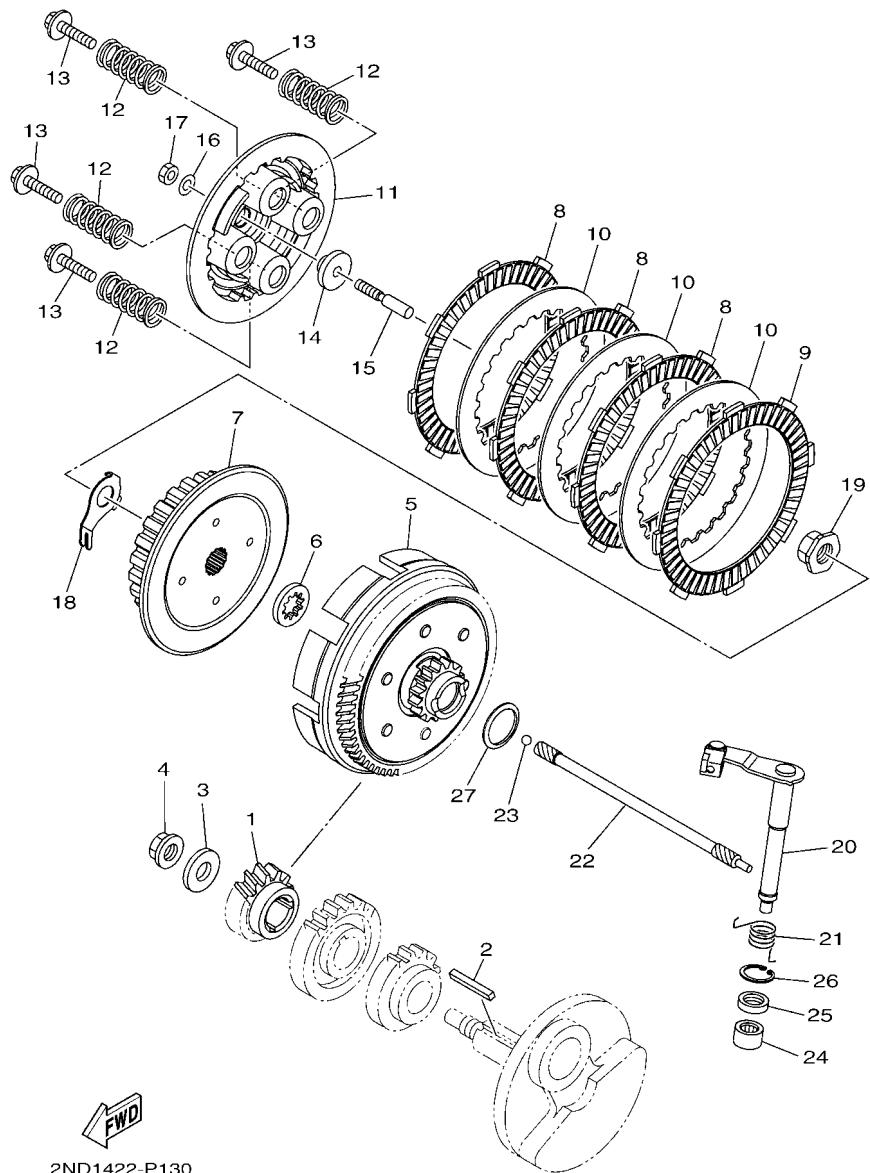
FIG. 12 STARTER CLUTCH

REF. NO.	PART NO.	DESCRIPTION	B17B				REMARKS
1	90338-30802	PLUG	1				
2	B17-E5514-00	GEAR 2	1				
3	38B-E5521-00	SHAFT 1	1				
4	90201-105E8	WASHER, PLATE	1				
5	99009-10400	CIRCLIP	1				
6	2PV-E5524-10	WHEEL, STARTER	1				
7	93310-325X1	BEARING	1				
8	90201-25290	WASHER, PLATE	1				
9	2PV-E5580-00	STARTER CLUTCH OUTER ASSY	1				UR
	5YP-E5580-00	STARTER CLUTCH OUTER ASSY	1				UR
10	2PH-E5583-10	.CAP, STARTER CLUTCH SPRING	3				UR
	5HV-E5583-00	.CAP, STARTER CLUTCH SPRING	3				UR
11	1ST-E5614-00	.PIN, DOWEL	3				UR
	5YP-E5614-00	.PIN, DOWEL	3				UR
12	2PV-E5572-00	.SPRING, RETURN	3				UR
	90501-030A0	.SPRING, COMPRESSION	3				UR
13	90110-06873	BOLT, HEXAGON SOCKET HEAD	3				



B17A440-V120

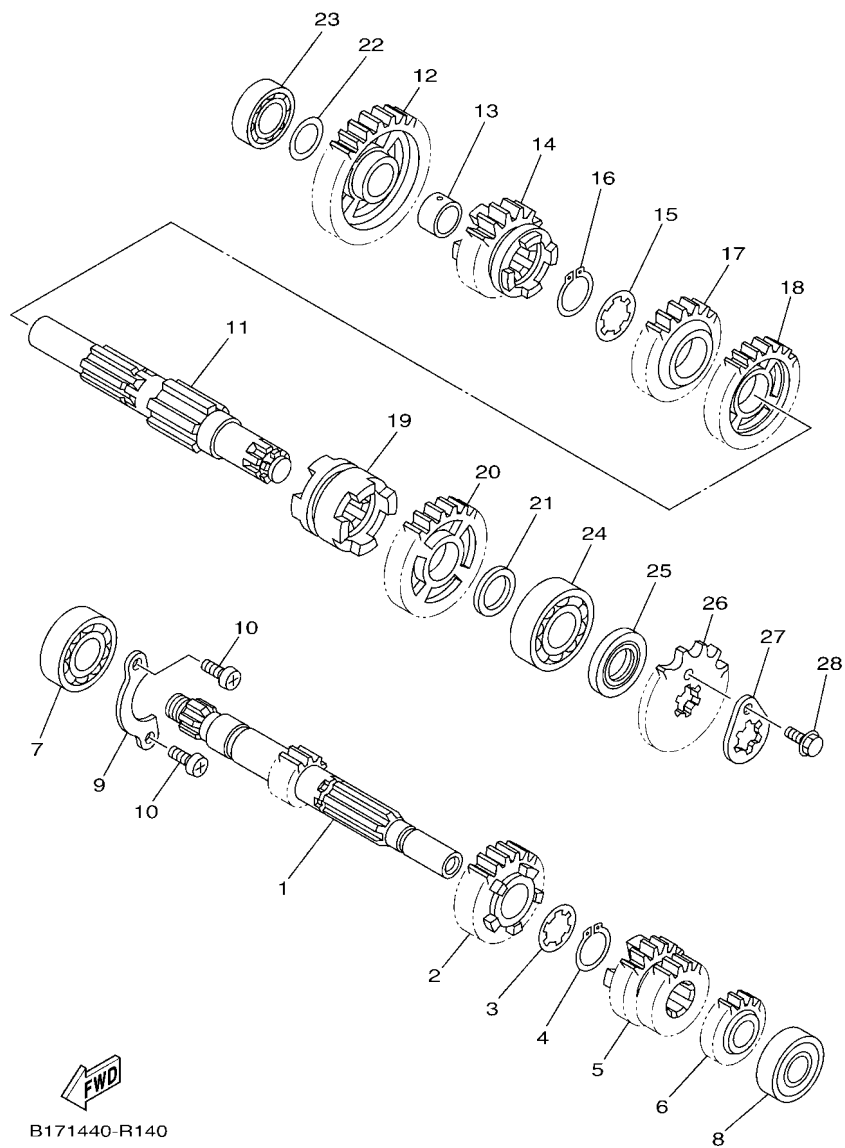
FIG. 13 CLUTCH



2ND1422-P130

REF. NO.	PART NO.	DESCRIPTION	B17B				REMARKS
1	3C1-E6111-00	GEAR, PRIMARY DRIVE	1				
2	38B-E6193-00	KEY, FEATHER	1				
3	90201-12019	WASHER, PLATE	1				
4	90179-12808	NUT	1				
5	2PV-E6150-00	PRIMARY DRIVEN GEAR COMP.	1				
6	2ND-E6154-00	PLATE, THRUST 1	1				
7	45P-E6371-00	BOSS, CLUTCH	1				
8	2PV-E6321-00	PLATE, FRICTION	3				
9	2UP-E6331-00	PLATE, FRICTION 2	1				
10	2PV-E6324-00	PLATE, CLUTCH 1	3				
11	45P-E6351-00	PLATE, PRESSURE 1	1				
12	2ND-E6333-00	SPRING, CLUTCH 1	4				
13	45P-E6337-00	SCREW, SPRING	4				
14	2ND-E6358-00	PLATE, PUSH	1				
15	45P-E6356-00	ROD, PUSH 1	1				
16	3C1-E6144-00	WASHER	1				
17	3C1-E6344-00	NUT, ADJUSTING	1				
18	45P-E6135-00	WASHER, LOCK	1				
19	90179-14001	NUT	1				
20	2ND-E6380-00	PUSH LEVER ASSY	1				
21	2PV-E6345-00	SPRING, RETURN	1				
22	1PA-E6357-00	ROD, PUSH 2	1				
23	93505-16844	BALL	1				
24	93315-112Y9	BEARING	1				
25	93102-12862	OIL SEAL	1				
26	99009-20500	CIRCLIP	1				
27	90208-20003	WASHER, CONICAL SPRING	1				

FIG. 14 TRANSMISSION

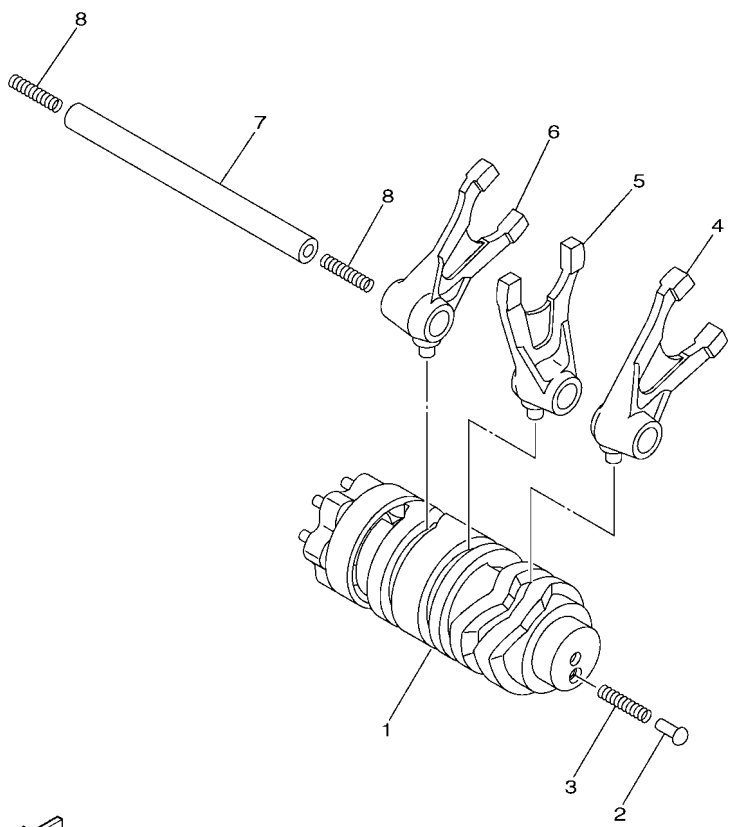


B171440-R140

REF. NO.	PART NO.	DESCRIPTION	B17/B				REMARKS
1	2PV-E7411-00	AXLE, MAIN (12T)	1				UR
	3C1-E7411-10	AXLE, MAIN (12T)	1				UR
2	BK8-E7151-00	GEAR, 5TH PINION (23T)	1				
3	90209-17285	WASHER	1				
4	93410-20038	CIRCLIP	1				
5	3C1-E7131-00	GEAR, 3RD PINION (21T/21T)	1				
6	3C1-E7121-00	GEAR, 2ND PINION (16T)	1				
7	93306-054XB	BEARING	1				
8	93306-252YL	BEARING	1				
9	3C1-E7471-00	PLATE, COVER	1				
10	98512-06012	SCREW, PAN HEAD	2				
11	2PV-E7402-20	DRIVE AXLE ASSY	1				
12	3C1-E7211-00	GEAR, 1ST WHEEL (34T)	1				
13	90387-17804	COLLAR	1				
14	2PV-E7251-00	GEAR, 5TH WHEEL (22T)	1				
15	90209-18208	WASHER	1				
16	93410-22039	CIRCLIP	1				
17	BK6-E7241-00	GEAR, 4TH WHEEL (24T)	1				
18	BK6-E7231-00	GEAR, 3RD WHEEL (30T)	1				
19	3C1-E7285-00	CLUTCH, DOG	1				
20	BK8-E7221-00	GEAR, 2ND WHEEL (30T)	1				
21	90201-20814	WASHER, PLATE	1				
22	90201-173F4	WASHER, PLATE	1				
23	93306-003YN	BEARING	1				
24	93306-204Y7	BEARING	1				
25	93102-20892	OIL SEAL	1				
26	93822-14800	SPROCKET, DRIVE (14T)	1				

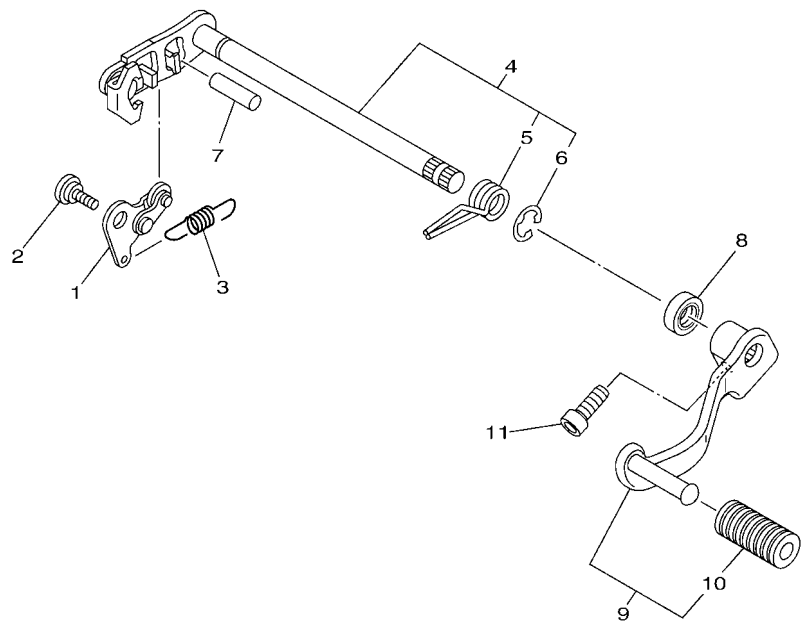
FIG. 15 SHIFT CAM & FORK

REF. NO.	PART NO.	DESCRIPTION	B17B				REMARKS
1	2PV-E8540-10	SHIFT CAM ASSY	1				
2	5TP-E8542-00	POINT, NEUTRAL	1				
3	90501-06022	SPRING, COMPRESSION	1				
4	2ND-E8511-00	FORK, SHIFT 1	1				
5	2ND-E8512-00	FORK, SHIFT 2	1				
6	2ND-E8513-00	FORK, SHIFT 3	1				
7	1PA-E8531-00	BAR, SHIFT FORK GUIDE 1	1				UR
	38B-E8531-00	BAR, SHIFT FORK GUIDE 1	1				UR
8	90501-06800	SPRING, COMPRESSION	2				




50C1460-K170

FIG. 16 SHIFT SHAFT

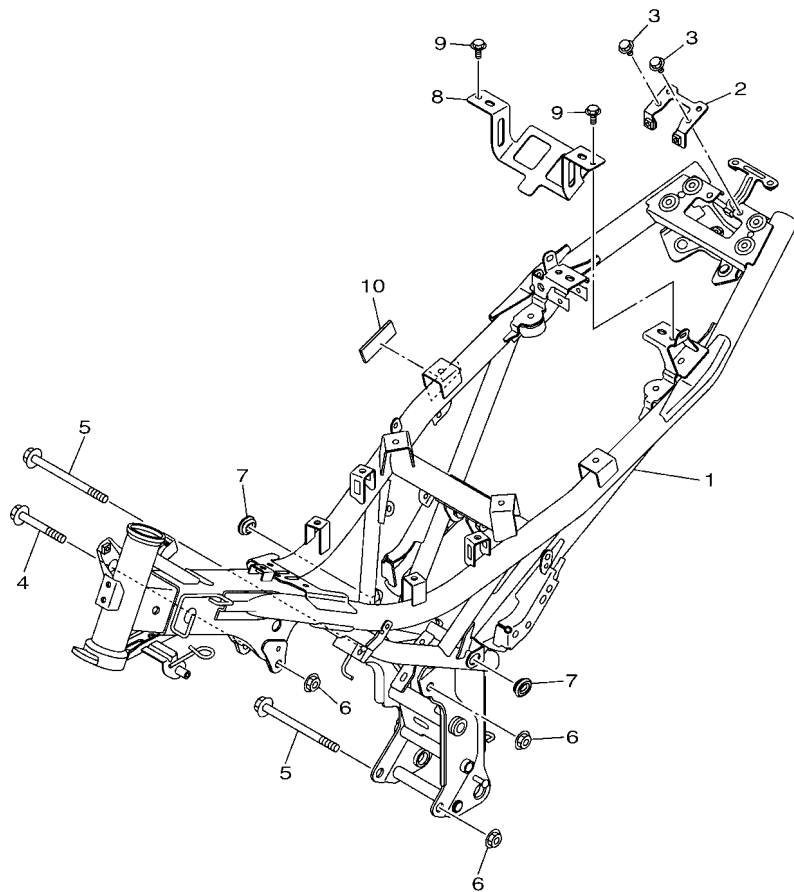


REF. NO.	PART NO.	DESCRIPTION	B17/B				REMARKS
1	21C-E8140-00	STOPPER LEVER ASSY	1				
2	90109-06279	BOLT	1				
3	3C1-E8337-00	SPRING	1				
4	2ND-E8101-01	SHIFT SHAFT ASSY	1				
5	90508-32837	.SPRING, TORSION	1				
6	99002-10600	.CIRCLIP	1				
7	93608-30839	PIN, DOWEL	1				
8	93102-12891	OIL SEAL	1				
9	B17-E8110-10	SHIFT PEDAL ASSY	1				
10	5H3-E8113-00	.COVER, SHIFT PEDAL	1				
11	91312-08020	BOLT, HEXAGON SOCKET HEAD	1				



2ND1422-P160

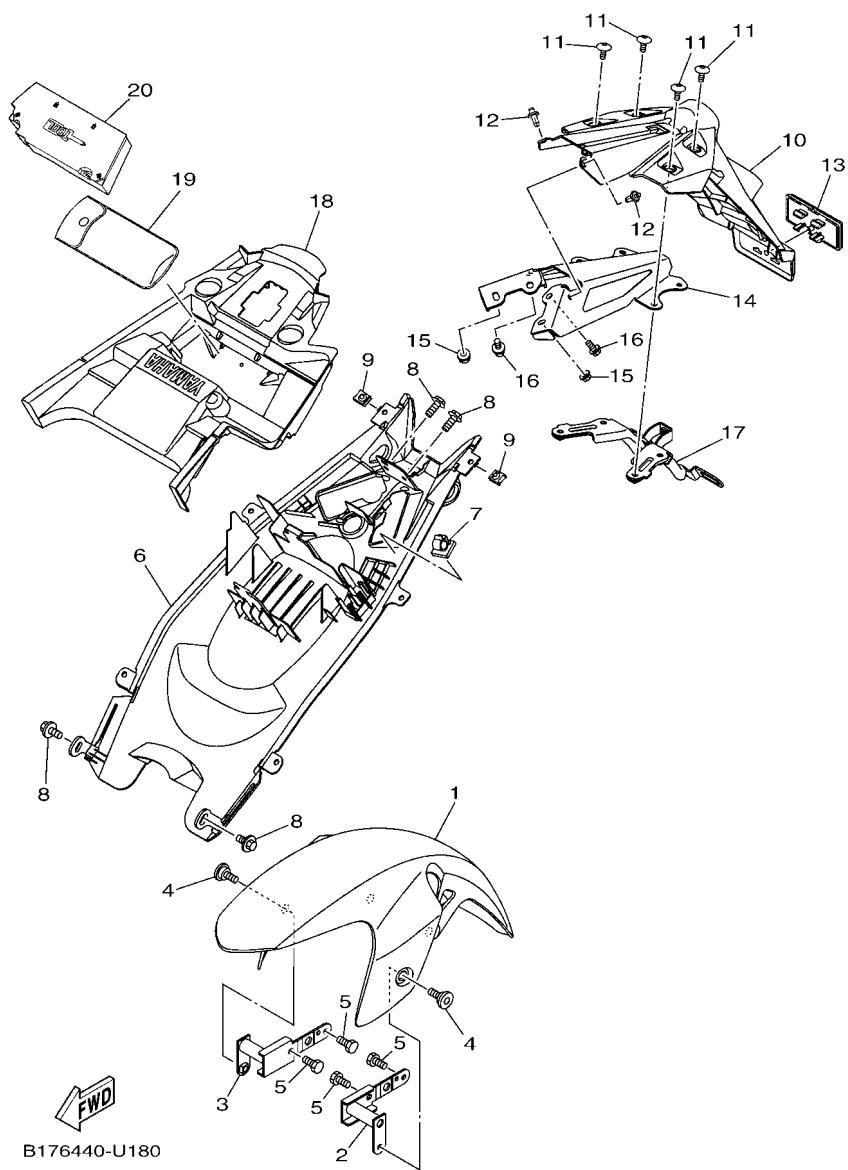
FIG. 17 FRAME



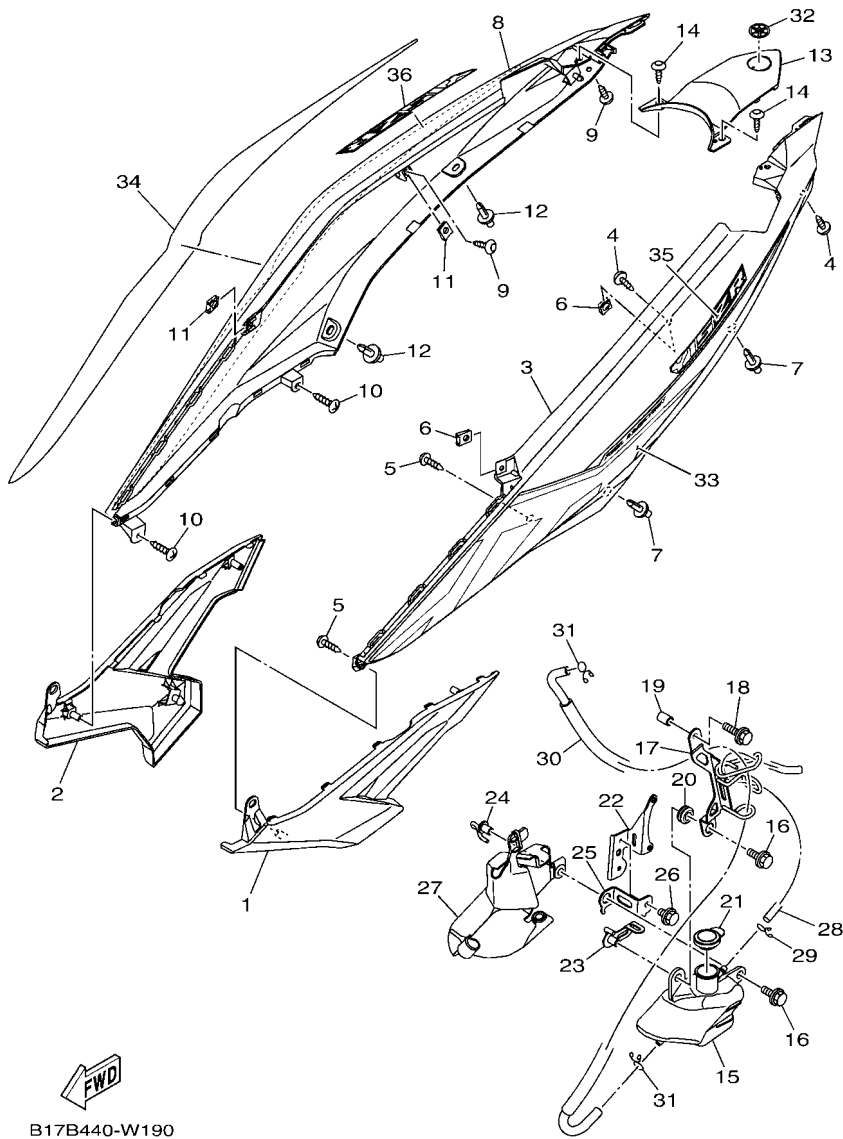
FWD
2ND1422-P170

REF. NO.	PART NO.	DESCRIPTION	B17/B				REMARKS
1	B17-F1110-10	FRAME COMP.	1				
2	B17-F478X-00	BRACKET, SEAT LOCK	1				
3	95D02-06012	BOLT, FLANGE DEEP RECESS	2				
4	90105-108B5	BOLT, FLANGE	1				
5	90105-108B4	BOLT, FLANGE	2				
6	90179-10805	NUT	3				
7	90480-01559	GROMMET	2				
8	B17-F2535-00	STAY, BATTERY 1	1				
9	95D02-06012	BOLT, FLANGE DEEP RECESS	2				
10	90520-02813	DAMPER, PLATE	1				

FIG. 18 FENDER



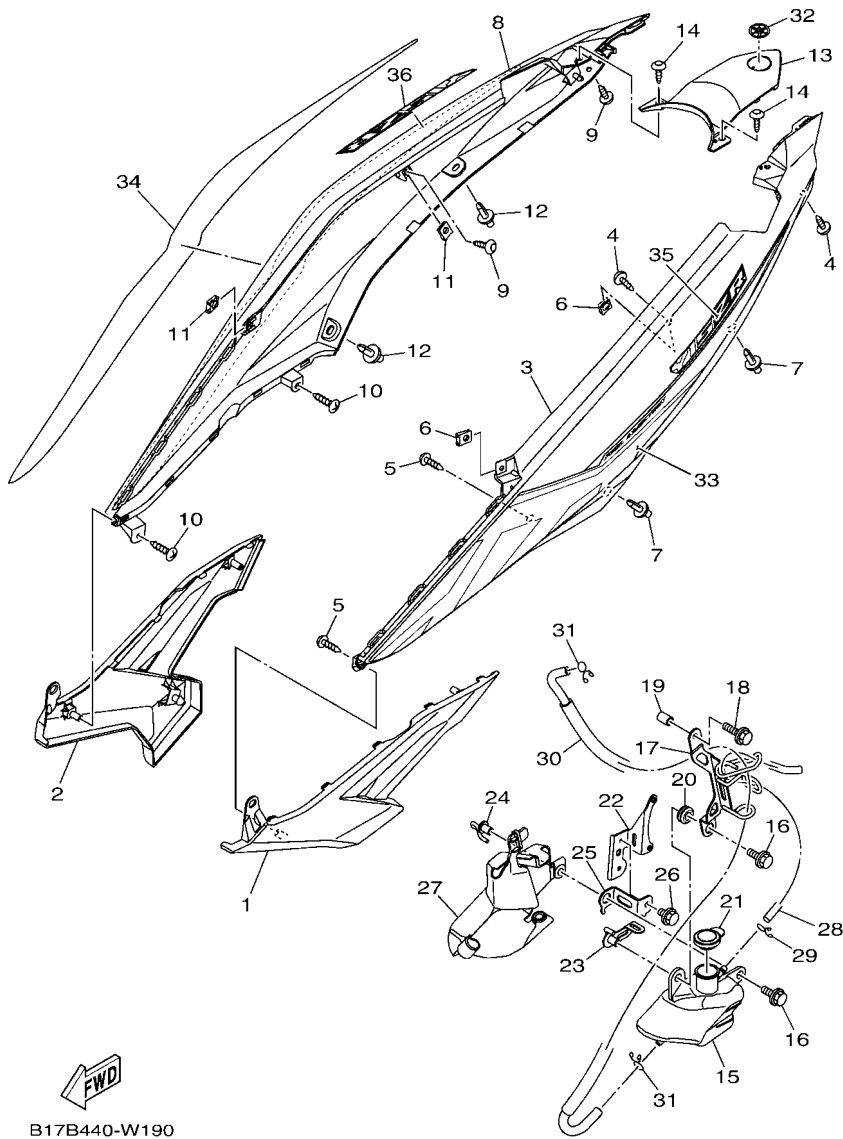
REF. NO.	PART NO.	DESCRIPTION	B17/B				REMARKS
1	B17-F1511-10-P6	FENDER, FRONT	1				UR FOR MDRM3
	B17-F1511-10-P1	FENDER, FRONT	1				UR VPBC5 FOR MS1
	B17-F1511-10-P7	FENDER, FRONT	1				UR FOR MT2
	B17-F1511-10-P8	FENDER, FRONT	1				UR FOR CM6
2	B17-F1513-00	STAY, FENDER 1	1				
3	B17-F1514-00	STAY, FENDER 2	1				
4	90109-068A4	BOLT	2				
5	97022-06012	BOLT, HEXAGON	4				
6	B17-F1611-00	FENDER, REAR	1				
7	90464-54086	CLAMP	1				
8	90119-06044	BOLT, WITH WASHER	4				
9	90183-05807	NUT, SPRING	2				
10	B17-F1629-01	GUARD, MUD	1				
11	90111-06848	BOLT, HEX. SOCKET BUTTON	4				
12	90269-06816	RIVET	2				
13	55D-H5130-00	REAR REFLECTOR ASSY	1				
14	B17-F164F-00	STAY 1	1				
15	95607-06200	NUT, SELF U-FLANGE	2				
16	95D32-06016	BOLT, FLANGE DEEP RECESS	2				
17	B17-F164G-00	STAY 2	1				
18	B17-F160E-00	BOX	1				
19	B17-F8100-10	TOOL KIT	1				
20	B17-F8170-00	HOLDER, TOOL	1				



B17B440-W190

FIG. 19 SIDE COVER

REF. NO.	PART NO.	DESCRIPTION	B17/B				REMARKS
1	B17-F1711-00-P1	COVER, SIDE 1	1				MBL2
2	B17-F1721-00-P1	COVER, SIDE 2	1				MBL2
3	B17-F1731-00-P5	COVER, SIDE 3	1				SMX
4	90160-05009	SCREW, ROUND TAPPING	2				
5	97702-40014	SCREW, TAPPING	2				
6	90183-05807	NUT, SPRING	2				
7	90269-06816	RIVET	2				
8	B17-F1741-00-P5	COVER, SIDE 4	1				SMX
9	90160-05009	SCREW, ROUND TAPPING	2				
10	97702-40014	SCREW, TAPPING	2				
11	90183-05807	NUT, SPRING	2				
12	90269-06816	RIVET	2				
13	B17-F171E-00-P5	COVER, SIDE 5	1				SMX
14	90160-05009	SCREW, ROUND TAPPING	2				
15	1S9-F1871-01	TANK, RECOVERY	1				
16	90119-06044	BOLT, WITH WASHER	2				
17	B17-F172K-00	BRACKET 1	1				
18	95D32-06025	BOLT, FLANGE DEEP RECESS	1				
19	90387-06144	COLLAR	1				
20	90480-13018	GROMMET	1				
21	5YP-F1875-01	CAP	1				
22	B17-F172L-00	BRACKET 2	1				
23	B17-F172M-10	BRACKET 3	1				
24	55P-F1173-00	BOSS, WIRE HOLDER	1				
25	B17-F172M-00	BRACKET 3	1				
26	95D32-06010	BOLT, FLANGE DEEP RECESS	1				
27	1S8-F172W-00	COVER	1				

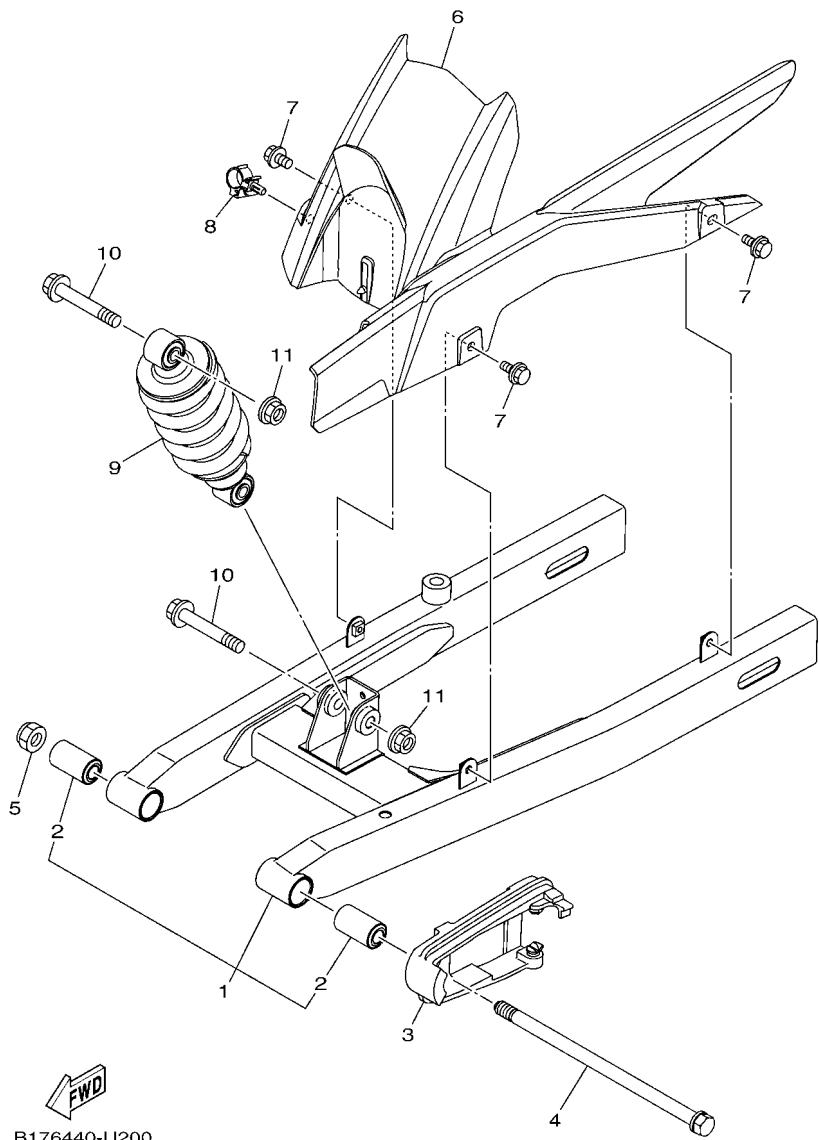


B17B440-W190

FIG. 19 SIDE COVER

REF. NO.	PART NO.	DESCRIPTION	B17/B	REMARKS
28	90445-09823	HOSE	1	
29	90467-08003	CLIP	1	
30	55C-F1817-00	PIPE 2	1	
31	90467-09006	CLIP	2	
32	B17-F836B-30	TUNING FORK MARK	1	
33	B17-F173E-J0	GRAPHIC 1	1	UR FOR MDRM3
	B17-F173E-K0	GRAPHIC 1	1	UR FOR MS1
	B17-F173E-L0	GRAPHIC 1	1	UR FOR MT2
	B17-F173E-M0	GRAPHIC 1	1	UR FOR CM6
34	B17-F173F-H0	GRAPHIC 2	1	UR FOR MDRM3
	B17-F173F-J0	GRAPHIC 2	1	UR FOR MS1
	B17-F173F-K0	GRAPHIC 2	1	UR FOR MT2
	B17-F173F-L0	GRAPHIC 2	1	UR FOR CM6
35	B17-F174G-H0	GRAPHIC 3	1	UR FOR MDRM3
	B17-F174G-J0	GRAPHIC 3	1	UR FOR MS1
	B17-F174G-K0	GRAPHIC 3	1	UR FOR MT2
	B17-F174G-L0	GRAPHIC 3	1	UR FOR CM6
36	B17-F174H-H0	GRAPHIC 4	1	UR FOR MDRM3
	B17-F174H-J0	GRAPHIC 4	1	UR FOR MS1
	B17-F174H-K0	GRAPHIC 4	1	UR FOR MT2
	B17-F174H-L0	GRAPHIC 4	1	UR FOR CM6

FIG. 20 REAR ARM & SUSPENSION



B176440-U200

REF. NO.	PART NO.	DESCRIPTION	B17/B				REMARKS
1	B17-F2100-10-P0	REAR ARM ASSY	1				MBL2
2	5B9-F2123-00	.BUSH 1	2				
3	B17-F2151-10	SEAL, GUARD	1				
4	4NP-F5381-00	AXLE, WHEEL	1				
5	95614-12100	NUT, U	1				
6	B17-F1650-00	REAR FENDER COMP.	1				
7	90119-06155	BOLT, WITH WASHER	3				
8	90464-16012	CLAMP	1				
9	B17-F2210-00	SHOCK ABSORBER ASSY, REAR	1				
10	90105-10855	BOLT, FLANGE	2				
11	95602-10200	NUT, S/L FLANGE	2				

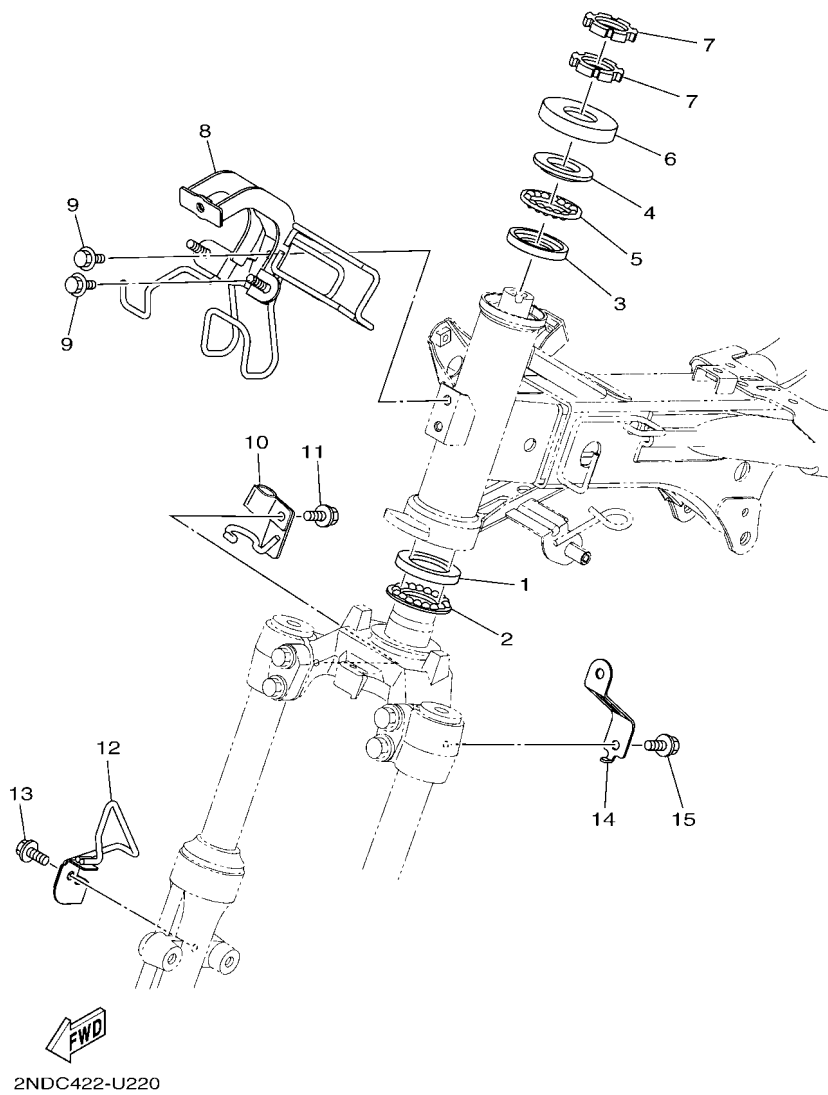
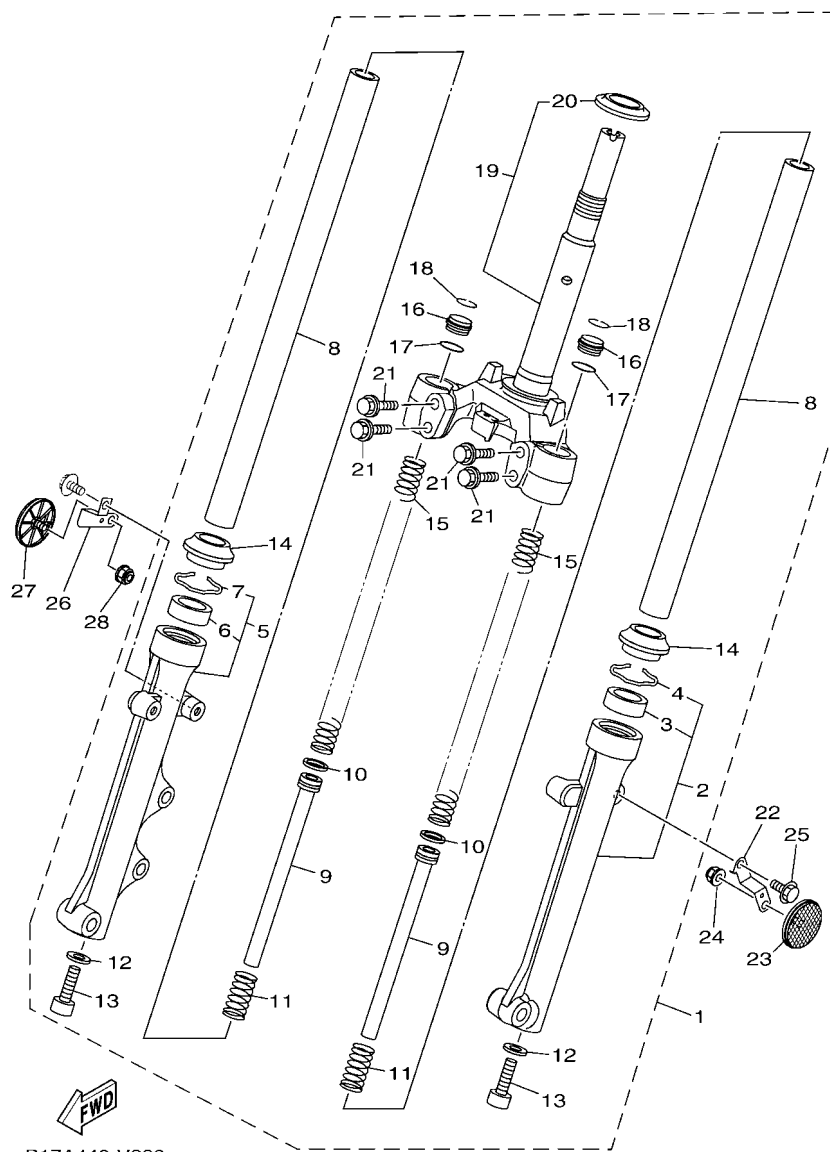


FIG. 21 STEERING

REF. NO.	PART NO.	DESCRIPTION	B17/B				REMARKS
1	1KL-F3412-10	RACE, BALL 2	1				
2	5VL-F341E-10	RETAINER, BALL BEARING	1				
3	4RT-F3412-10	RACE, BALL 2	1				
4	4RT-F3411-10	RACE, BALL 1	1				
5	1P6-F341E-10	RETAINER, BALL BEARING	1				
6	5TL-F3416-00	COVER, BALL RACE 2	1				
7	90179-25002	NUT	2				
8	B17-F331A-10	STAY	1				
9	95D02-06012	BOLT, FLANGE DEEP RECESS	2				
10	2PV-F587A-00	HOLDER, BRAKE HOSE 4	1				
11	95D02-06012	BOLT, FLANGE DEEP RECESS	1				
12	B17-F5876-00	HOLDER, BRAKE HOSE 2	1				
13	95D02-06012	BOLT, FLANGE DEEP RECESS	1				
14	B17-F334G-00	BRACKET 1	1				
15	95D02-06012	BOLT, FLANGE DEEP RECESS	1				

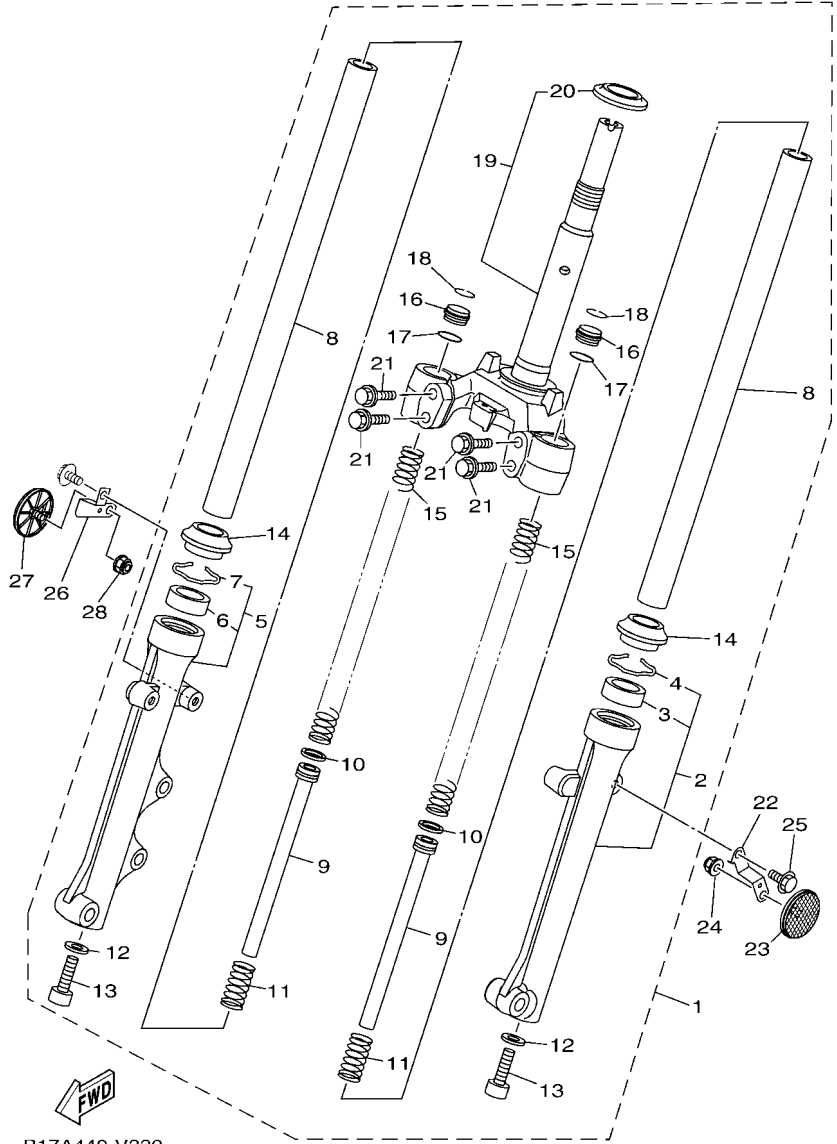
FIG. 22 FRONT FORK



B17A440-V220

REF. NO.	PART NO.	DESCRIPTION	B17B				REMARKS
1	B17-F3100-10	FRONT FORK ASSY	1				
2	2ND-F3126-00	.TUBE, OUTER (L.H)	1				
3	4UV-F3145-00	.OIL SEAL	1				
4	5P0-F3156-00	.RING, SNAP	1				
5	B17-F3136-00	.TUBE, OUTER 2	1				
6	4UV-F3145-00	.OIL SEAL	1				
7	5P0-F3156-00	.RING, SNAP	1				
8	2PV-F3110-20	.INNER TUBE COMP.1	2				
9	2ND-F3170-10	.CYLINDER COMP., FRONT FORK	2				
10	2ND-F3157-00	.RING, PISTON	2				
11	5TF-F3152-00	.SPRING, SUB	2				
12	509-F3158-L0	.GASKET	2				
13	31D-F3181-50	.BOLT, HEXAGON SOCKET HEAD	2				
14	5LL-F3144-00	.SEAL, DUST	2				
15	2PV-F3141-20	.SPRING, FRONT FORK	2				
16	1FC-F3111-10	.BOLT, CAP	2				
17	2JG-F3147-00	.O-RING	2				
18	5P0-F3153-00	.RING, SNAP	2				
19	B17-F3340-00	.UNDER BRACKET COMP.	1				
20	4FP-F3411-10	.RACE, BALL 1	1				
21	31B-F3346-00	.BOLT 1	4				
22	B17-F113J-00	BRACKET, REFLECTOR 1	1				
23	2FC-H5111-00	REFLECTOR, 1	1				
24	90185-05803	NUT, SELF-LOCKING	1				
25	95D02-06012	BOLT, FLANGE DEEP RECESS	1				
26	B17-F113K-00	BRACKET, REFLECTOR 2	1				
27	2FC-H5111-00	REFLECTOR, 1	1				

FIG. 22 FRONT FORK



B17A440-V220

REF. NO.	PART NO.	DESCRIPTION	B17B							REMARKS
28	90185-05803	NUT, SELF-LOCKING	1							

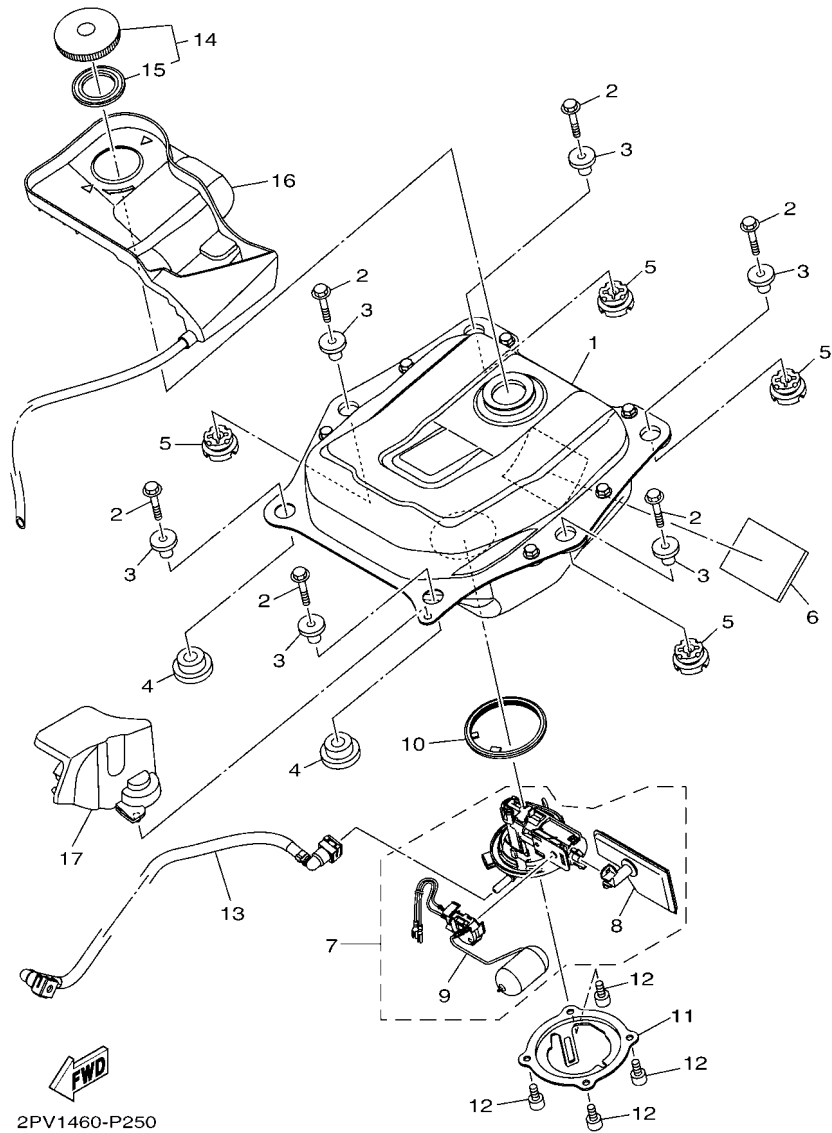


FIG. 23 FUEL TANK

REF. NO.	PART NO.	DESCRIPTION	B17/B				REMARKS
1	B17-F4100-01	FUEL TANK ASSY	1				
2	95D02-06030	BOLT, FLANGE DEEP RECESS	6				
3	90387-08835	COLLAR	6				
4	90480-18810	GROMMET	2				
5	90480-18811	GROMMET	4				
6	1S8-F8372-00	DAMPER	1				
7	2ND-E3907-00	FUEL PUMP COMP.	1				
8	54P-E3915-00	.FILTER, FUEL SUCTION	1				
9	2ND-H5752-00	.SENDER UNIT ASSY, FUEL METER	1				
10	1DB-F414G-01	SEAL	1				
11	B17-F4491-00	BRACKET, FUEL PUMP	1				
12	91332-05010	BOLT	4				
13	2PV-E3971-01	PIPE, FUEL 1	1				
14	4YY-F4610-00	CAP ASSY	1				
15	4YY-F4612-00	.PACKING, CAP	1				
16	B17-F41B1-00	COVER, TANK	1				
17	B17-F4452-00	COVER	1				

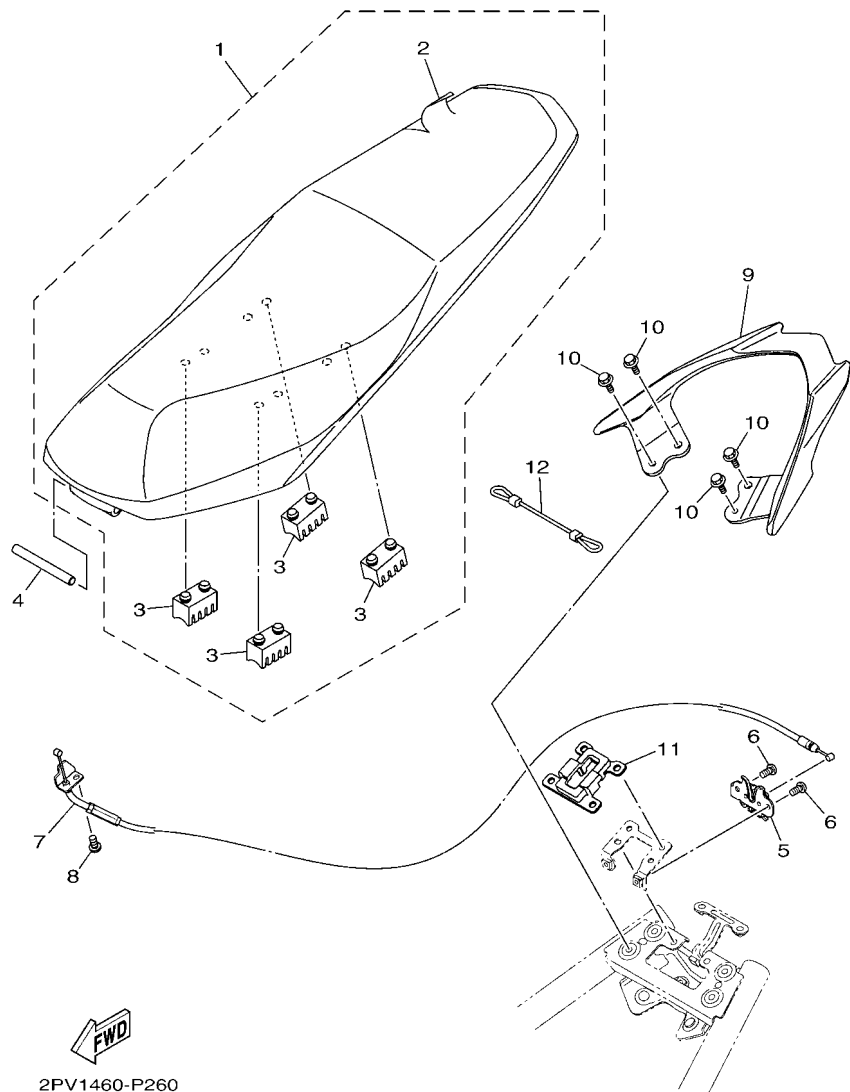
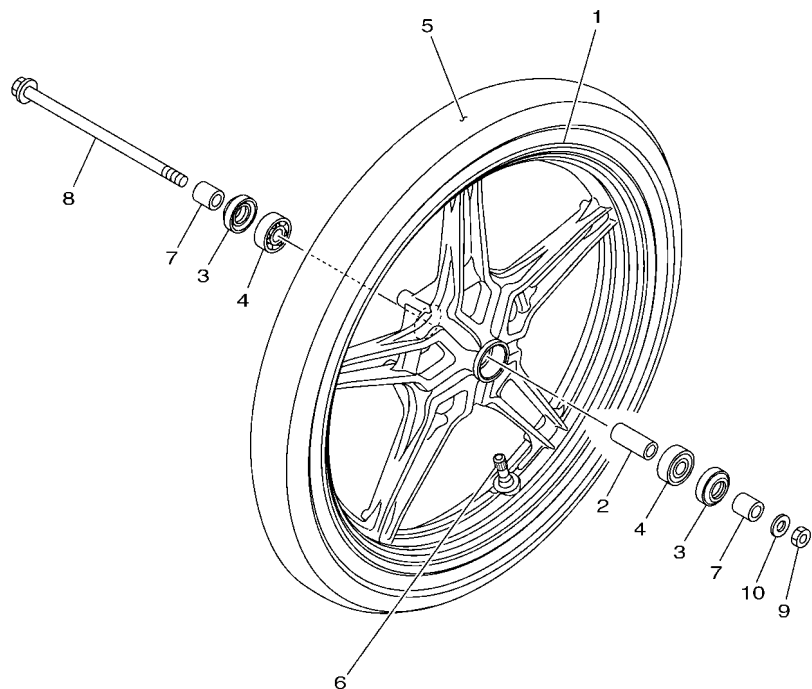


FIG. 24 SEAT

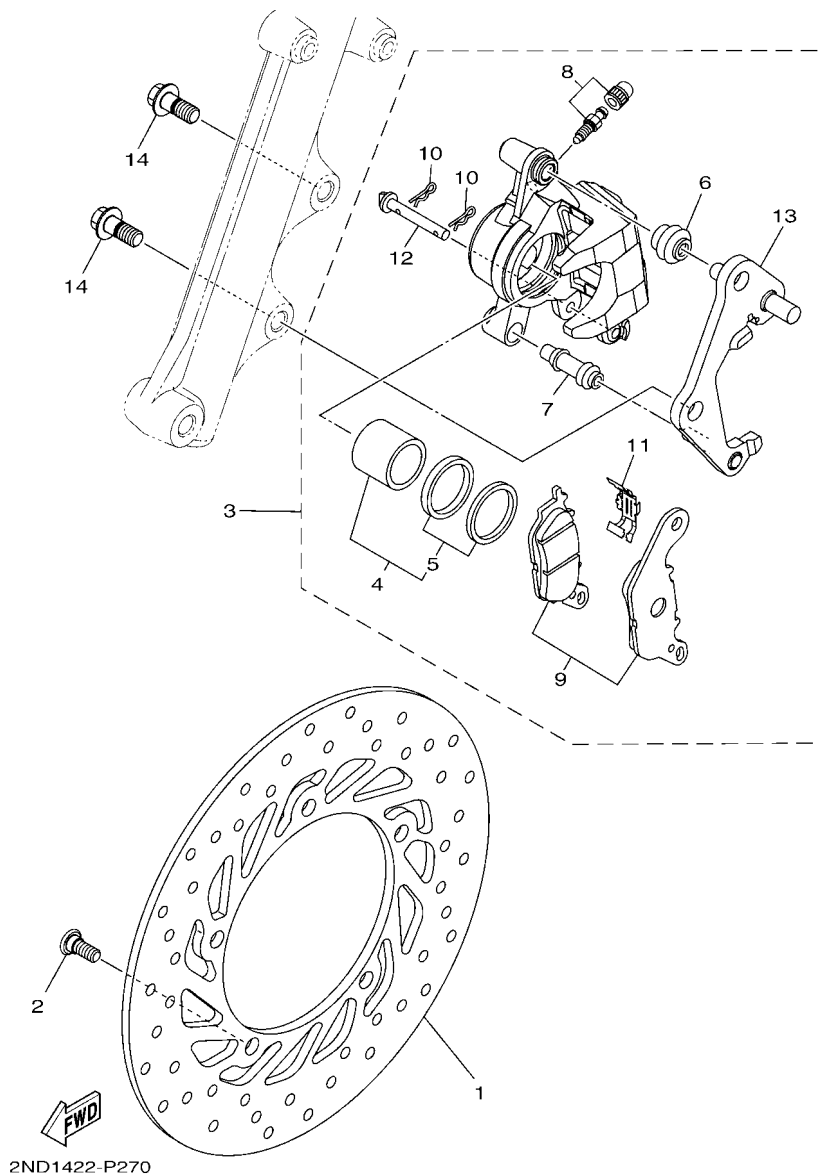
REF. NO.	PART NO.	DESCRIPTION	B17B				REMARKS
1	B17-F4730-00	DOUBLE SEAT ASSY	1				UR FOR MDRM3,MS1
	B17-F4730-30	DOUBLE SEAT ASSY	1				UR FOR MT2,CM6
2	B17-F470F-00	.SEAT COVER COMP.	1				
3	5VT-F4723-00	.DAMPER, SEAT	4				
4	2WB-F4727-00	PIN, SEAT FITTING	1				
5	1DY-F4780-00	SEAT LOCK ASSY	1				
6	98502-06012	SCREW, PAN HEAD	2				
7	B17-F478E-00	CABLE, SEAT LOCK	1				
8	98502-05010	SCREW, PAN HEAD	1				
9	B17-F4773-00-P5	HANDLE, SEAT	1				SMX EXCEPT FOR MS1
	B17-F4773-00-P0	HANDLE, SEAT	1				VPBC5 FOR MS1
10	95D32-06020	BOLT, FLANGE DEEP RECESS	4				
11	B17-F1978-00	PROTECTOR, FRAME	1				
12	2PV-F1398-10	HANGER, HELMET	1				

FIG. 25 FRONT WHEEL



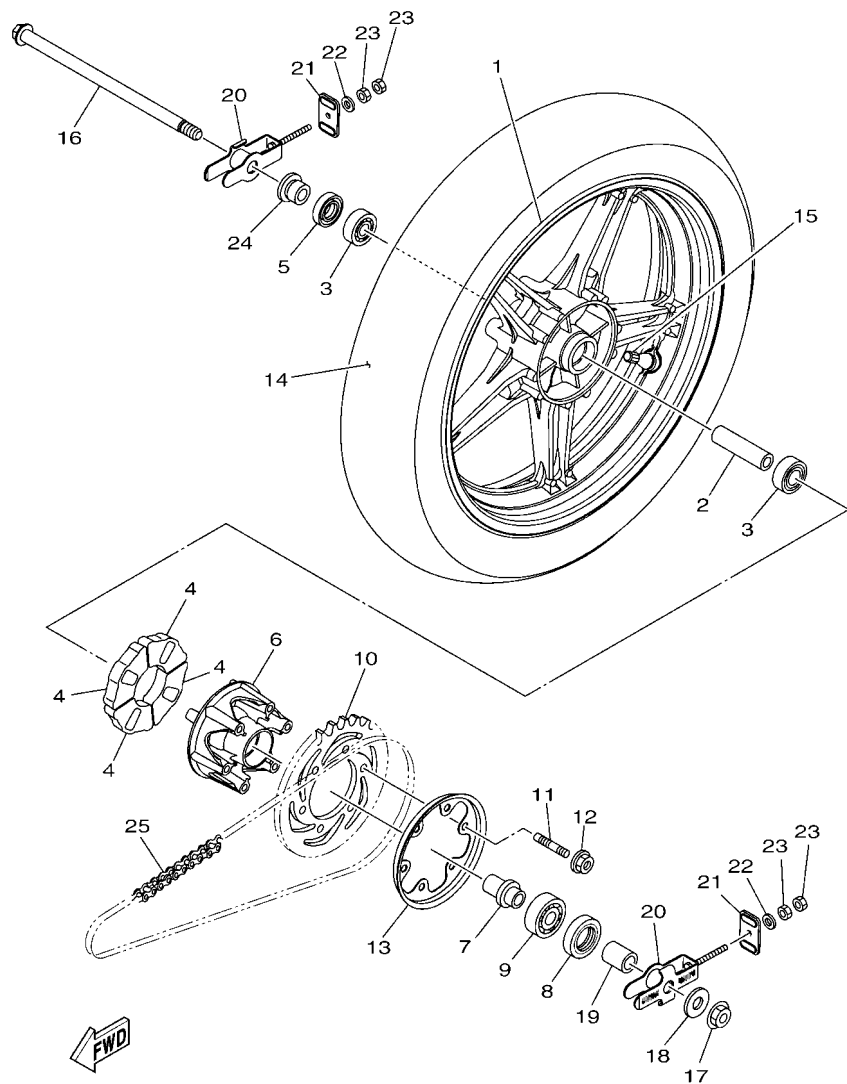
REF. NO.	PART NO.	DESCRIPTION	B17/B				REMARKS
1	B17-F5168-00-33	CAST WHEEL, FRONT	1				YB EXCEPT FOR MT2
	B17-F5168-00-7X	CAST WHEEL, FRONT	1				DYRS1 FOR MT2
2	90560-10292	SPACER	1				
3	93106-20816	OIL SEAL	2				
4	93306-300YN	BEARING	2				
5	94109-17805	TIRE (90/80-17 M/C 46P D102FA)	1				UR DUNLOP
	94109-17809	TIRE(90/80-17 M/C 46P DM1060F)	1				UR DURO
6	93900-00817	VALVE, RIM (TR412)	1				
7	90387-10277	COLLAR	2				
8	3NA-F5181-01	AXLE, WHEEL	1				
9	90185-10091	NUT, SELF-LOCKING	1				
10	90201-101J1	WASHER, PLATE	1				

FIG. 26 FRONT BRAKE CALIPER



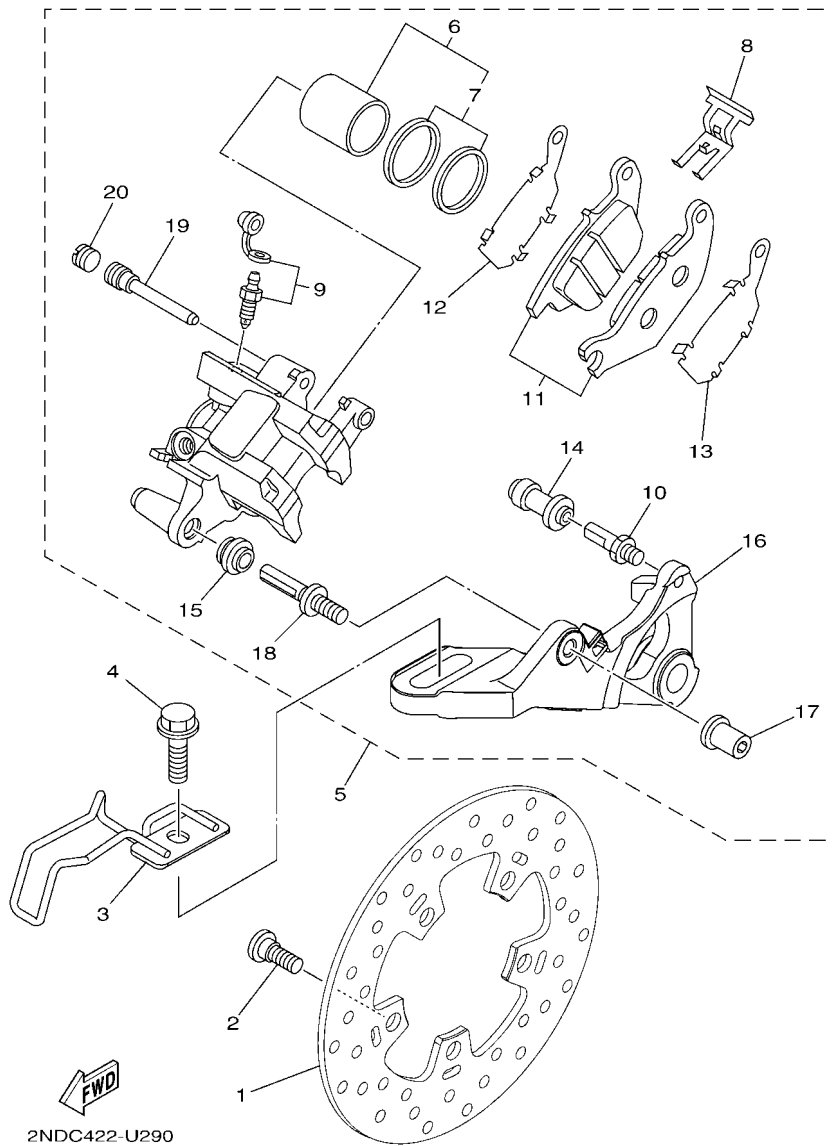
REF. NO.	PART NO.	DESCRIPTION	B17/B				REMARKS
1	2ND-F582U-11	DISK, BRAKE (RIGHT)	1				UR
	B17-F582U-00	DISK, BRAKE (RIGHT)	1				UR
2	90109-08087	BOLT	5				
3	2ND-F580U-01	CALIPER ASSY (RIGHT)	1				
4	2BM-F5802-00	.PISTON ASSY, CALIPER	1				
5	5YP-F5803-50	..CALIPER SEAL KIT	1				
6	2BM-F5917-00	.BOOT, CALIPER	1				
7	5YP-F5937-00	.BOOT 2	1				
8	4C9-W0048-00	.BLEED SCREW KIT	1				
9	2DP-F5805-00	.BRAKE PAD KIT	1				
10	5YP-F5925-01	.CLIP	2				
11	2BM-F5919-00	.SUPPORT, PAD	1				
12	5YP-F5924-00	.PIN, PAD	1				
13	2ND-F5920-00	.SUPT. BRKT. ASSY.	1				
14	90105-10831	BOLT, FLANGE	2				

FIG. 27 REAR WHEEL



REF. NO.	PART NO.	DESCRIPTION	B17/B				REMARKS
1	B17-F5338-00-33	CAST WHEEL, REAR	1				YB EXCEPT FOR MT2
	B17-F5338-00-9X	CAST WHEEL, REAR	1				DYRS1 FOR MT2
2	B17-F5317-00	SPACER, BEARING	1				
3	93306-252X7	BEARING	2				
4	B17-F5364-00	DAMPER	4				
5	93106-22808	OIL SEAL	1				
6	B17-F5366-00	CLUTCH, HUB	1				
7	B17-F5377-00	COLLAR, WHEEL	1				
8	93106-26815	OIL SEAL	1				
9	93306-004XV	BEARING	1				
10	B17-F5442-00	SPROCKET, DRIVEN (42T)	1				
11	90116-08826	BOLT, STUD	6				
12	95602-08200	NUT, U FLANGE	6				
13	B17-F5689-00	PLATE, GUIDE	1				
14	94112-17809	TIRE (120/70-70 M/C 58P)	1				UR DURO
	94112-17804	TIRE (120/70-17 M/C 58P D102A)	1				UR DUNLOP
15	93900-00817	VALVE, RIM (TR412)	1				
16	5BP-F5381-00	AXLE, WHEEL	1				
17	95602-14200	NUT, SELF-LOCKING	1				
18	90201-15030	WASHER, PLATE	1				
19	90387-15830	COLLAR	1				
20	B17-F5388-01	PULLER, CHAIN 1	2				UR
	2ND-F5388-00	PULLER, CHAIN 1	2				UR
21	B17-F2174-00	END 1	2				
22	92902-06600	WASHER, PLATE	2				
23	95302-06600	NUT, HEXAGON	4				
24	B17-F5383-00	COLLAR, WHEEL	1				UR

FIG. 28 REAR BRAKE CALIPER



REF. NO.	PART NO.	DESCRIPTION	B17/B				REMARKS
1	2PV-F582W-00	DISK, REAR BRAKE 2	1				UR
	B17-F582W-00	DISK, REAR BRAKE 2	1				UR
2	90109-08087	BOLT	5				
3	B17-F2167-10	GUIDE	1				
4	95D32-10035	BOLT, FLANGE DEEP RECESS	1				
5	1PA-F580W-01	CALIPER ASSY, REAR 2	1				
6	50C-F5802-00	.PISTON ASSY, CALIPER	1				
7	3GD-25803-00	.CALIPER SEAL KIT	1				
8	50C-F5919-00	.SUPPORT, PAD	1				
9	50C-W0048-00	.BLEED SCREW KIT	1				
10	50C-F5914-00	.PIN, SLIDE	1				
11	1PA-F5806-00	.BRAKE PAD KIT 2	1				
12	50C-F5827-00	.SHIM, CALIPER	1				
13	50C-F5828-00	.SHIM, CALIPER	1				
14	50C-F5937-00	.BOOT 2	1				
15	50C-F5917-00	.BOOT, CALIPER	1				
16	1PA-F5921-01	.BRACKET, SUPPORT	1				
17	50C-F5961-00	.NUT	1				
18	50C-2536G-00	.PIN	1				
19	50C-F5933-00	.PIN HANGER	1				
20	50C-F5916-00	.PLUG	1				

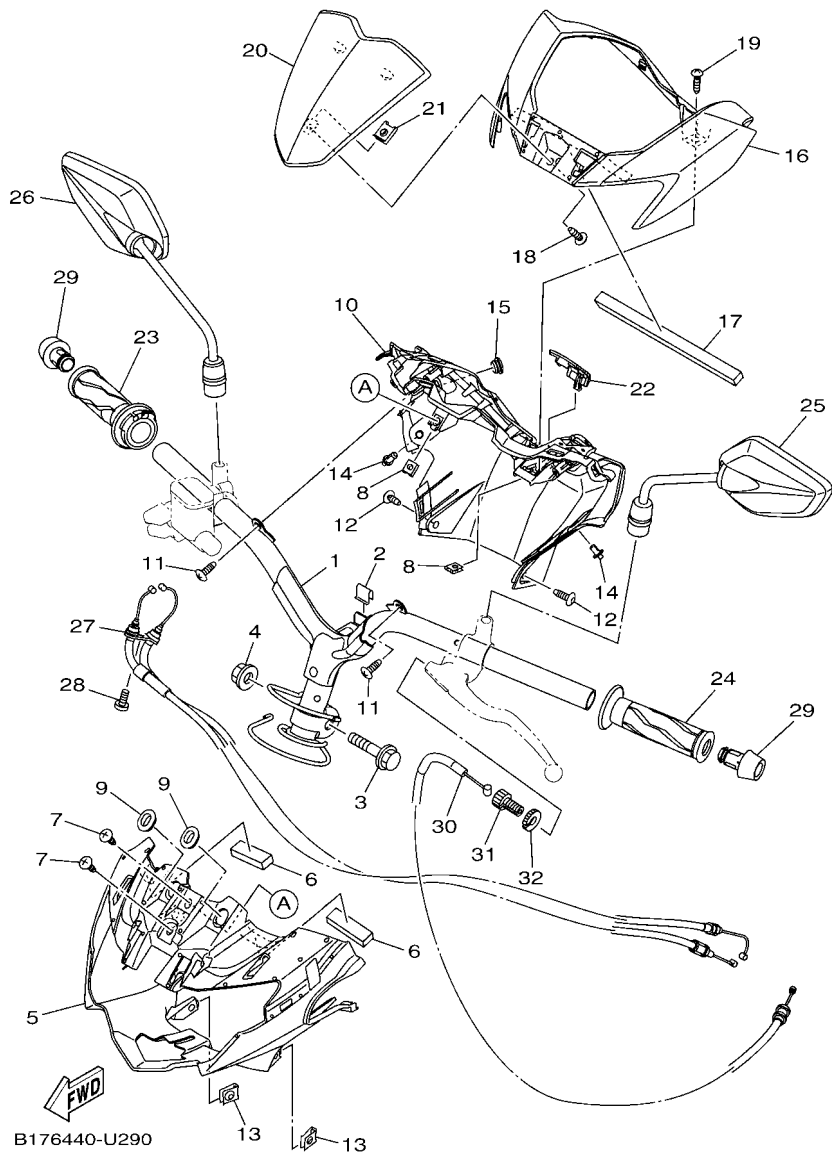


FIG. 29 STEERING HANDLE & CABLE

REF. NO.	PART NO.	DESCRIPTION	B17/B				REMARKS
1	B17-F6110-10	HANDLE COMP.	1				
2	2ND-F414G-00	SEAL	1				
3	90105-10896	BOLT, FLANGE	1				
4	90185-10011	NUT, SELF-LOCKING	1				
5	B17-F6143-10	COVER, HANDLE UPPER 1	1				
6	90520-10834	DAMPER, PLATE	2				
7	97702-50016	SCREW, TAPPING	2				
8	90183-05807	NUT, SPRING	2				
9	90480-01559	GROMMET	2				
10	B17-F6145-10	COVER, HANDLE UPPER 2	1				
11	97702-50016	SCREW, TAPPING	2				
12	90160-05009	SCREW, ROUND TAPPING	2				
13	90183-05807	NUT, SPRING	2				
14	90269-06816	RIVET	2				
15	4US-F6199-00	PLUG, BLIND	1				
16	B17-F6216-10-P0	CAP, HANDLEBAR COVER	1				SMX
17	90520-08802	DAMPER, PLATE	1				
18	97707-50012	SCREW, TRUSS HEAD TAPPING	1				
19	97702-50016	SCREW, TAPPING	1				
20	B17-F61AA-00-P0	VISOR	1				UR FOR MDRM3
	B17-F61AA-00-P4	VISOR	1				UR VPBC5 FOR MS1
	B17-F61AA-00-P5	VISOR	1				UR FOR MT2
	B17-F61AA-00-P2	VISOR	1				UR FOR CM6
21	90183-05807	NUT, SPRING	1				
22	B17-F6477-00	COVER	1				
23	B17-F6240-02	GRIP ASSY	1				
24	1VP-F6241-00	GRIP	1				

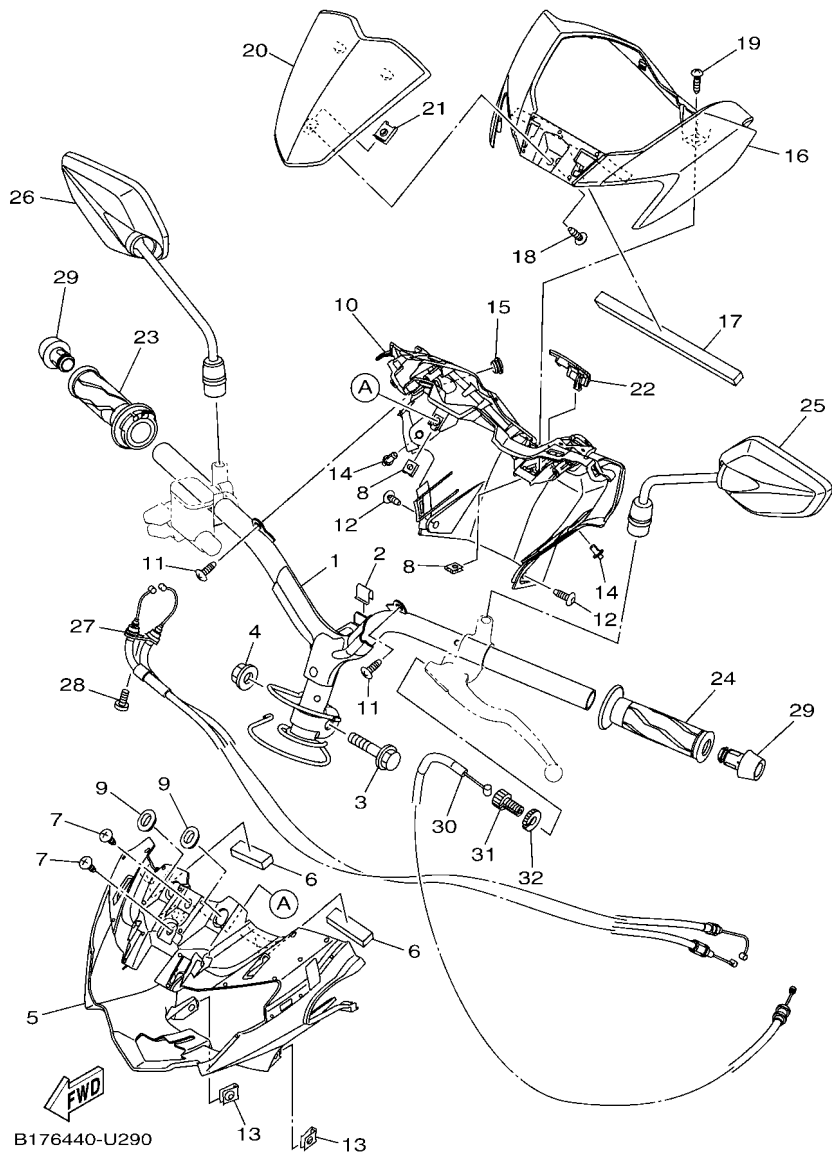
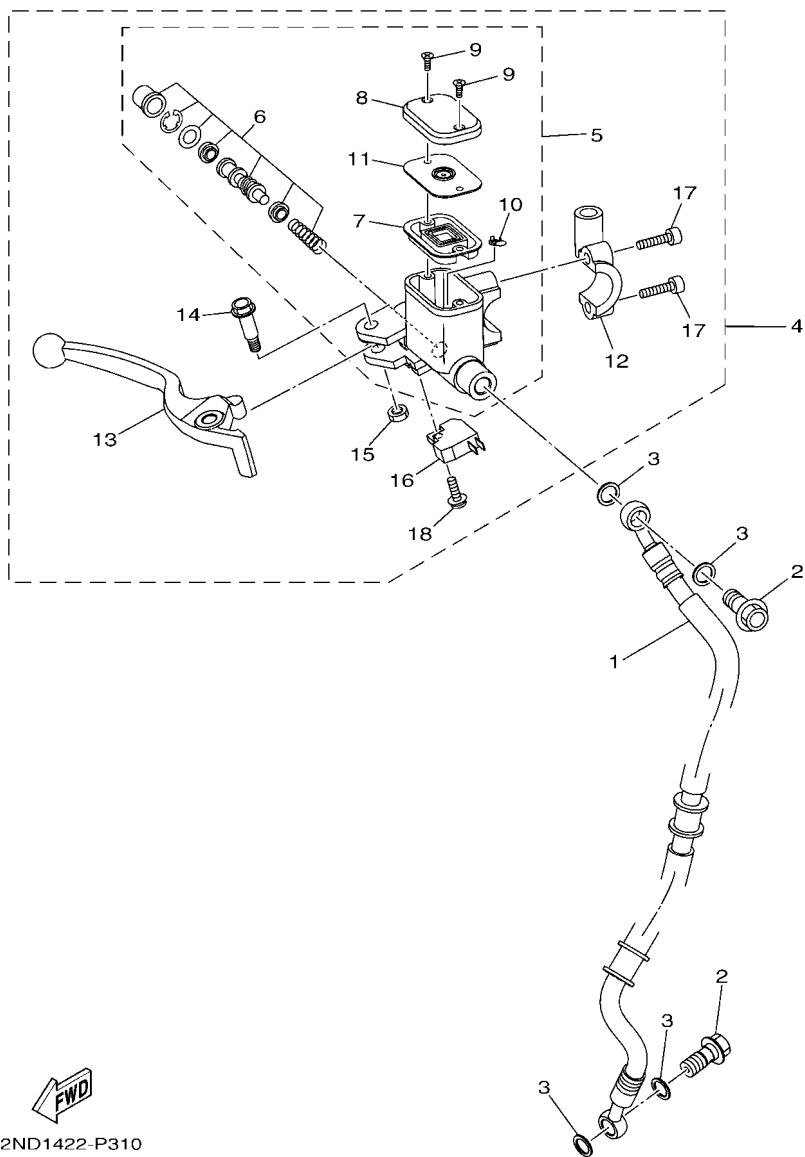


FIG. 29 STEERING HANDLE & CABLE

REF. NO.	PART NO.	DESCRIPTION	B17/B				REMARKS
25	B17-F6280-10	REAR VIEW MIRROR ASSY (LEFT)	1				
26	B17-F6290-10	REAR VIEW MIRROR ASSY (RIGHT)	1				
27	B17-F6301-10	THROTTLE CABLE ASSY	1				
28	92012-05012	BOLT, BUTTON HEAD	1				
29	1VB-F6246-00	END, GRIP	2				
<hr/>							
30	B17-F6335-00	WIRE, CLUTCH	1				
31	90123-08046	BOLT	1				
32	90170-08401	NUT	1				
<hr/>							
<hr/>							
<hr/>							
<hr/>							
<hr/>							
<hr/>							
<hr/>							
<hr/>							
<hr/>							
<hr/>							

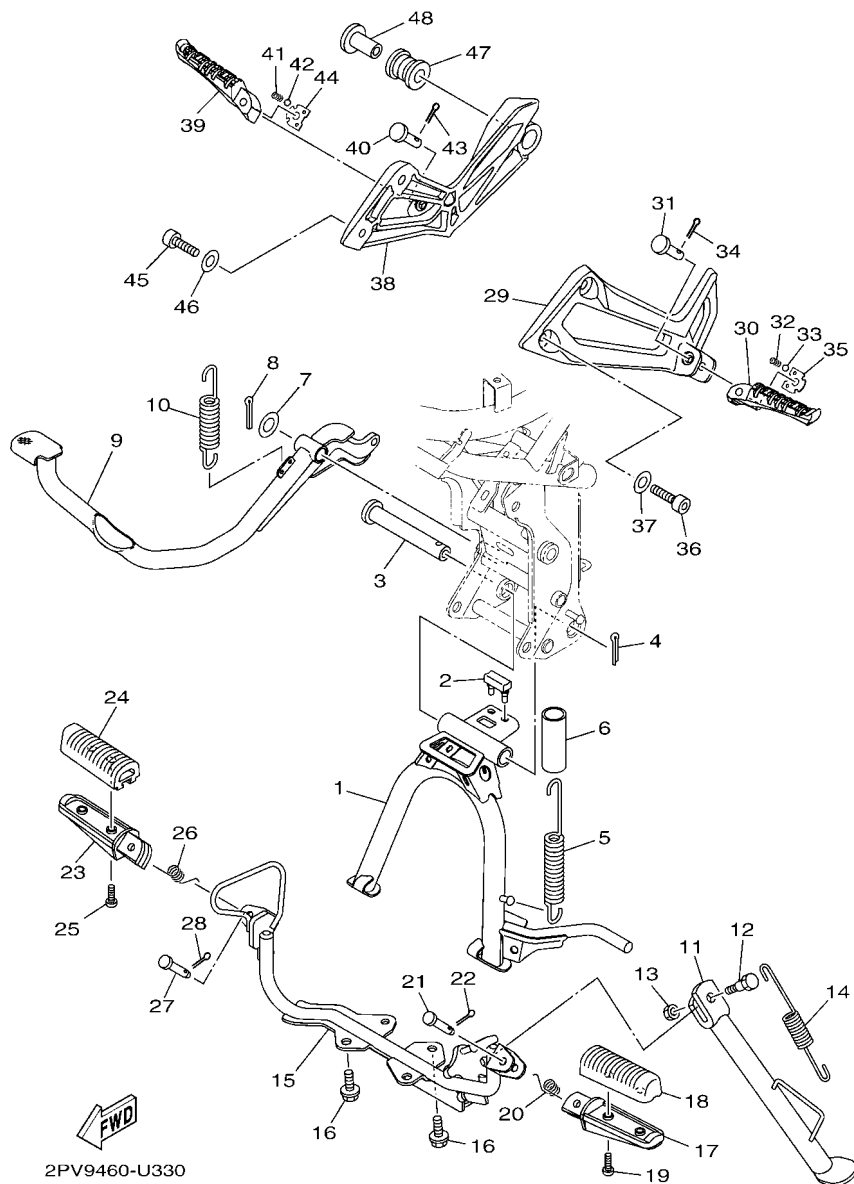
FIG. 30 FRONT MASTER CYLINDER



2ND1422-P310

REF. NO.	PART NO.	DESCRIPTION	B17/B				REMARKS
1	2PV-F5872-01	HOSE, BRAKE 1	1				
2	90401-10812	BOLT, UNION	2				
3	90201-10118	WASHER, PLATE	4				
4	2PV-F583T-12	MASTER CYLINDER ASSY	1				
5	2ND-F5870-00	.MASTER CYLINDER SUB ASSY	1				
6	5P0-F580A-00	..CYLINDER KIT, MASTER	1				
7	2ND-F5854-00	..DIAPHRAGM, RESERVOIR	1				
8	2ND-F5852-00	..CAP, RESERVOIR	1				
9	36Y-2589H-00	..SCREW	2				
10	3RW-F5889-00	..SEPARATOR	1				
11	2ND-F5855-00	..BUSH,DIAPHRAGM	1				
12	5TL-F5867-11	..BRACKET,MASTER CYLINDER(BLACK)	1				
13	2ND-H3922-00	..LEVER 2	1				
14	90109-06577	..BOLT	1				
15	95602-06100	..NUT, SELF-LOCKING	1				
16	2DP-H3980-01	..FRONT STOP SWITCH ASSY	1				
17	91312-06025	..BOLT, HEXAGON SOCKET HEAD	2				
18	97602-04312	..SCREW, PAN HEAD WITH WASHER	1				

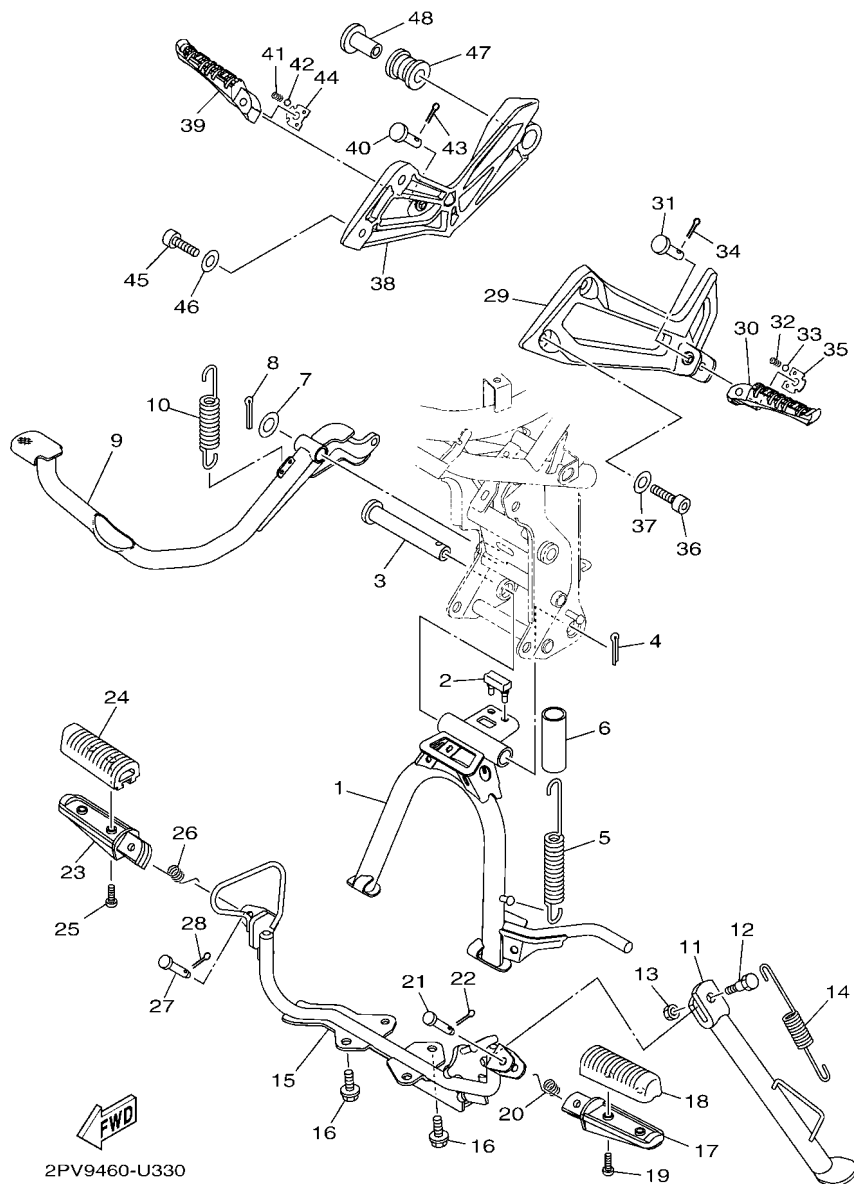
FIG. 31 STAND & FOOTREST



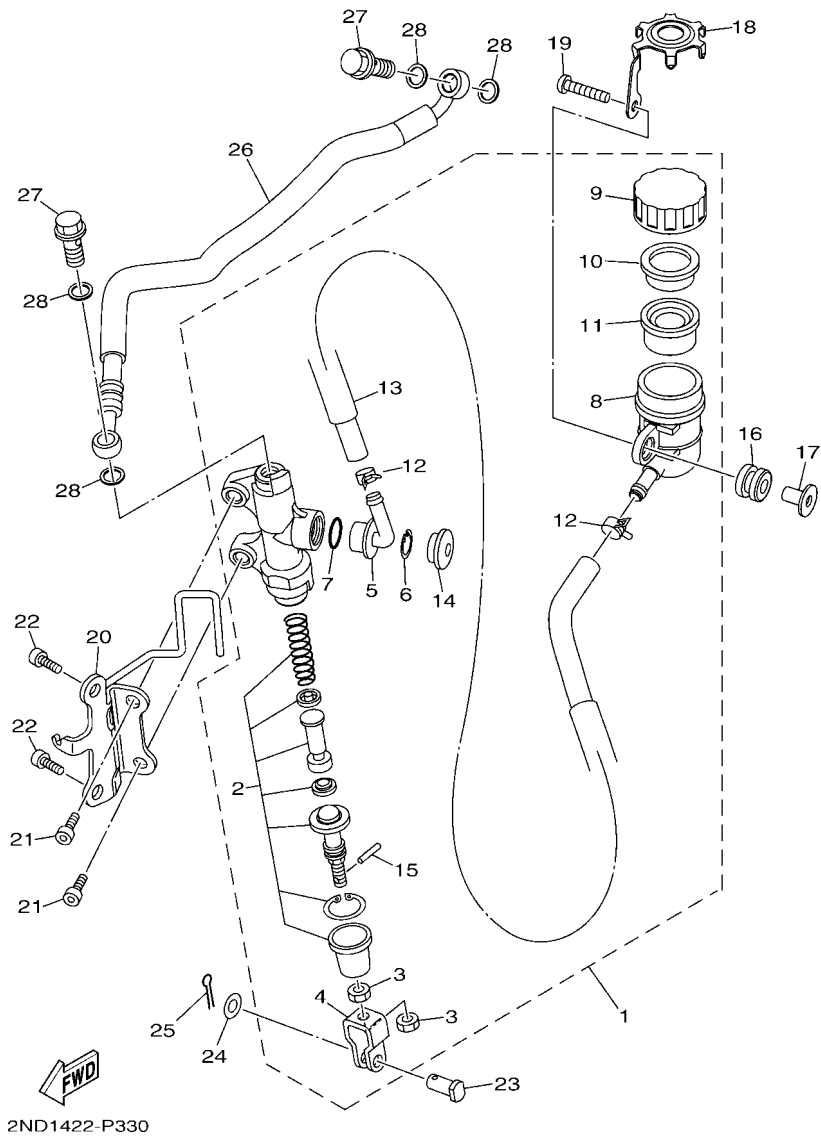
2PV9460-U330

REF. NO.	PART NO.	DESCRIPTION	B17/B				REMARKS
1	B17-F7111-10	STAND, MAIN	1				
2	31D-F7114-00	STOPPER, MAIN STAND	1				
3	5YP-F7112-00	SHAFT, MAIN STAND	1				
4	91401-30030	PIN, COTTER	1				
5	90506-35806	SPRING, TENSION	1				
6	90445-22800	HOSE	1				
7	90201-14811	WASHER, PLATE	1				
8	91401-30030	PIN, COTTER	1				
9	B17-F7211-10	PEDAL, BRAKE	1				
10	90506-20041	SPRING, TENSION	1				
11	B17-F7311-10	STAND, SIDE	1				
12	90109-08034	BOLT	1				
13	95307-08700	NUT	1				
14	90506-23809	SPRING, TENSION	1				
15	B17-F7411-00	FOOTREST 1	1				
16	95D37-08016	BOLT, FLANGE DEEP RECESS	4				
17	B17-F7451-00	FOOTREST 3	1				
18	B17-F7413-00	COVER, FOOTREST	1				
19	98502-05014	SCREW, PAN HEAD	2				
20	90508-183B9	SPRING, TORSION	1				
21	91701-08035	PIN	1				
22	91401-25015	PIN, COTTER	1				
23	B17-F7461-00	FOOTREST 4	1				
24	B17-F7413-00	COVER, FOOTREST	1				
25	98502-05014	SCREW, PAN HEAD	2				
26	90508-183B9	SPRING, TORSION	1				
27	91701-08035	PIN	1				

FIG. 31 STAND & FOOTREST



REF. NO.	PART NO.	DESCRIPTION	B17/B	REMARKS
28	91401-25015	PIN, COTTER	1	
29	B17-F7452-00-P0	BRACKET, FOOTREST 1	1	MBL2
30	3C1-F7431-01	FOOTREST, REAR 1	1	
31	91702-08042	PIN, CLEVIS	1	
32	90501-12743	SPRING, COMPRESSION	1	
33	93501-04823	BALL	1	
34	91401-25015	PIN, COTTER	1	
35	B17-F7437-00	WASHER, SPECIAL	1	
36	91312-08025	BOLT, HEXAGON SOCKET HEAD	2	
37	90201-086P8	WASHER, PLATE	2	
38	B17-F7462-00-P0	BRACKET, FOOTREST 2	1	MBL2
39	3C1-F7441-01	FOOTREST, REAR 2	1	
40	91702-08042	PIN, CLEVIS	1	
41	90501-12743	SPRING, COMPRESSION	1	
42	93501-04823	BALL	1	
43	91401-25015	PIN, COTTER	1	
44	B17-F7437-00	WASHER, SPECIAL	1	
45	91312-08025	BOLT, HEXAGON SOCKET HEAD	2	
46	90201-086P8	WASHER, PLATE	2	
47	B17-E4747-00	DAMPER, MUFFLER	1	
48	90387-08812	COLLAR	1	

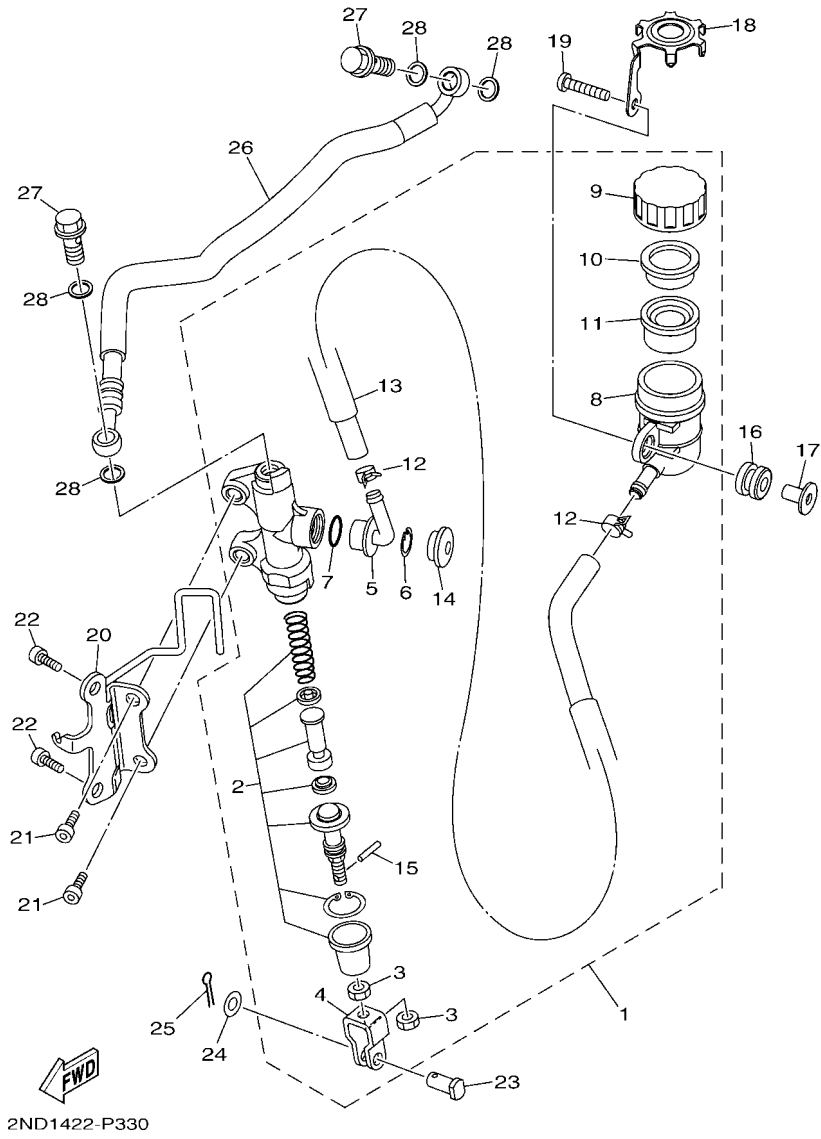


2ND1422-P330

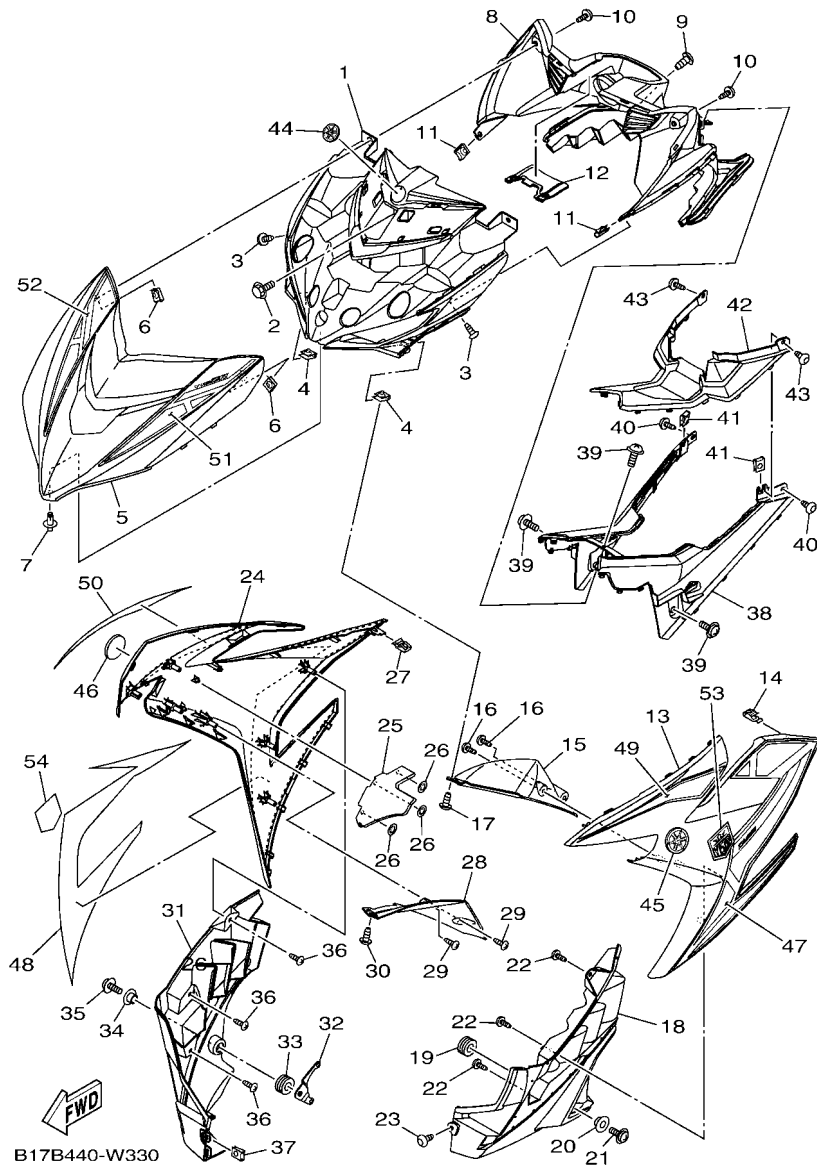
FIG. 32 REAR MASTER CYLINDER

REF. NO.	PART NO.	DESCRIPTION	B17/B				REMARKS
1	2ND-F580E-00	REAR MASTER CYLINDER ASSY	1				
2	2ND-F5808-00	.CYLINDER KIT, MASTER	1				
3	95301-08700	.NUT	2				
4	50C-F7222-00	.JOINT	1				
5	50C-F582A-50	.JOINT	1				
6	50C-F5866-00	.CIRCLIP	1				
7	93210-15620	.O-RING	1				
8	50C-F5894-11	.TANK, RESERVOIR	1				
9	50C-F5852-00	.CAP, RESERVOIR	1				
10	50C-F5855-00	.BUSH, DIAPHRAGM	1				
11	2VN-F5854-00	.DIAPHRAGM, RESERVOIR	1				
12	90467-12085	.CLIP	2				
13	4S3-F5895-00	.HOSE, RESERVOIR	1				
14	50C-F589A-00	.COVER, DUST	1				
15	5BU-27234-00	.PIN, BRAKE ROD	1				
16	55C-F4742-00	GROMMET	1				
17	55C-F6259-00	COLLAR	1				
18	55C-F5888-00	COVER, RESERVOIR TANK	1				
19	98507-06025	SCREW, PAN HEAD	1				
20	B17-F133F-00	BRACKET, MASTER CYLINDER	1				
21	91312-08020	BOLT, HEXAGON SOCKET HEAD	2				
22	91312-08016	BOLT, HEXAGON SOCKET HEAD	2				
23	90240-08124	PIN, CLEVIS	1				
24	90201-08083	WASHER, PLATE	1				
25	91401-20012	PIN, COTTER	1				
26	2ND-F5873-20	HOSE, BRAKE 2	1				
27	90401-10812	BOLT, UNION	2				

FIG. 32 REAR MASTER CYLINDER



REF. NO.	PART NO.	DESCRIPTION	B17/B			REMARKS
28	90201-10118	WASHER, PLATE	4			



B17B440-W330

FIG. 33 LEG SHIELD

REF. NO.	PART NO.	DESCRIPTION	B17/B				REMARKS
1	B17-F836K-00	PANEL, INNER 1	1				
2	90119-06137	BOLT, WITH WASHER	1				
3	90160-05009	SCREW, ROUND TAPPING	2				
4	90183-05807	NUT, SPRING	2				
5	B17-F3391-00-P1	PANEL, FRONT	1				SMX EXCEPT FOR MS1
	B17-F3391-00-P0	PANEL, FRONT	1				VPBC5 FOR MS1
6	90183-05807	NUT, SPRING	2				
7	90269-06816	RIVET	1				
8	B17-F836L-00	PANEL, INNER 2	1				
9	90159-06817	SCREW, WITH WASHER	1				
10	90160-05009	SCREW, ROUND TAPPING	2				
11	90183-05807	NUT, SPRING	2				
12	B17-F843J-00	COVER 3	1				
13	B17-F835U-00-P7	PANEL 1	1				UR FOR MDRM3
	B17-F835U-00-P6	PANEL 1	1				UR FOR MS1
	B17-F835U-00-PB	PANEL 1	1				UR FOR MT2
	B17-F835U-00-P9	PANEL 1	1				UR FOR CM6
14	5P0-F8379-00	HOOK	1				
15	B17-F137U-00	GUIDE, AIR 1	1				
16	97702-40014	SCREW, TAPPING	2				
17	90160-05009	SCREW, ROUND TAPPING	1				
18	B17-F8385-00	COVER, UNDER	1				
19	90480-18418	GROMMET	1				
20	90387-09801	COLLAR	1				
21	90159-06033	SCREW, WITH WASHER	1				
22	97702-40014	SCREW, TAPPING	3				
23	90160-05009	SCREW, ROUND TAPPING	1				

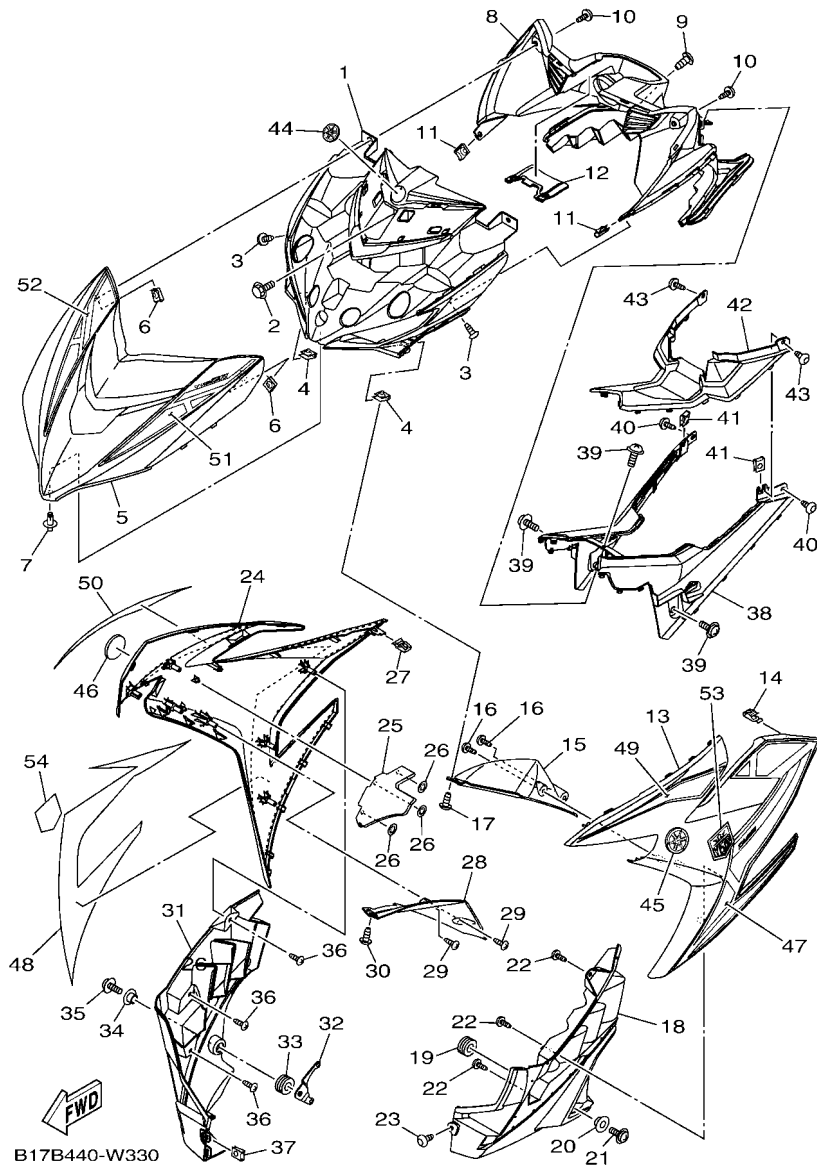
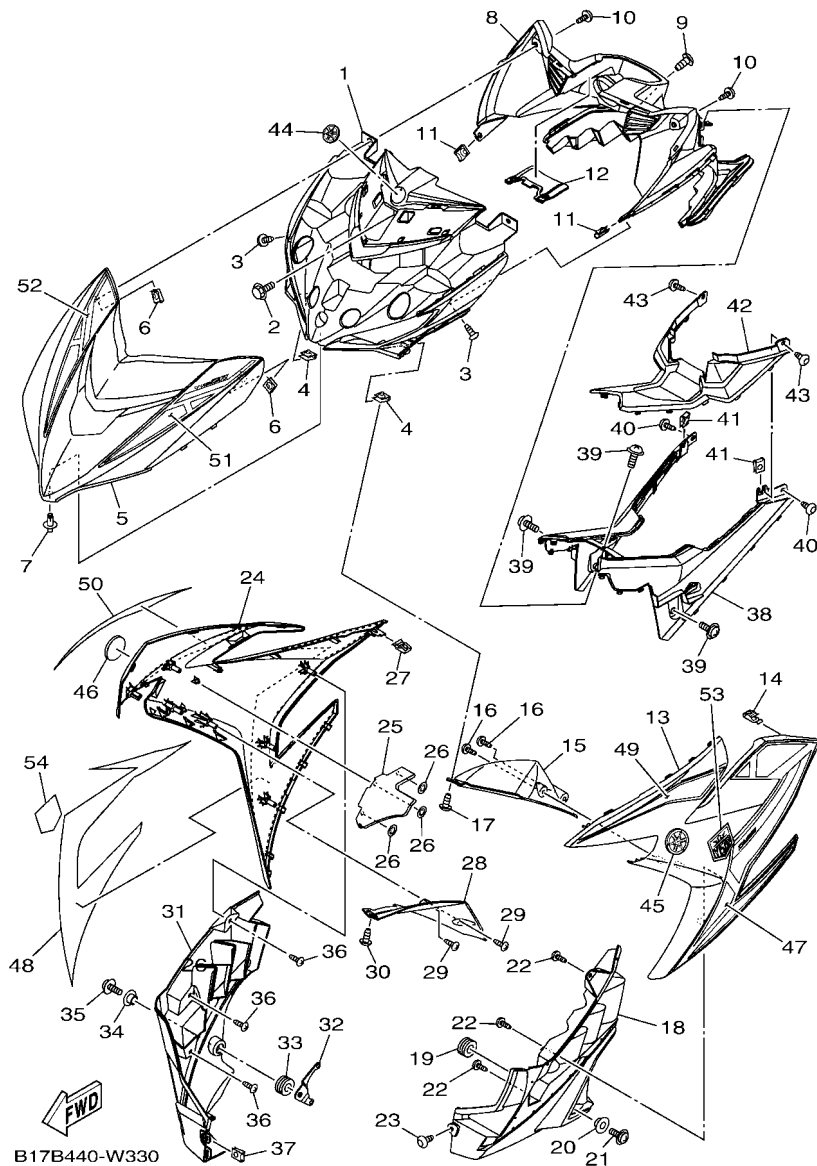


FIG. 33 LEG SHIELD

REF. NO.	PART NO.	DESCRIPTION	B17/B	REMARKS
24	B17-F835V-00-P7	PANEL 2	1	UR FOR MDRM3
	B17-F835V-00-P6	PANEL 2	1	UR FOR MS1
	B17-F835V-00-PB	PANEL 2	1	UR FOR MT2
	B17-F835V-00-P9	PANEL 2	1	UR FOR CM6
25	B17-F199H-00	SHIELD, HEAT	1	
26	90183-05801	NUT, SPRING	3	
27	5P0-F8379-00	HOOK	1	
28	B17-F137V-00	GUIDE, AIR 2	1	
29	97702-40014	SCREW, TAPPING	2	
30	90160-05009	SCREW, ROUND TAPPING	1	
31	B17-F8395-00	COVER, UNDER 2	1	
32	B17-F8322-00	STAY 2	1	
33	90480-18418	GROMMET	1	
34	90387-09801	COLLAR	1	
35	90159-06033	SCREW, WITH WASHER	1	
36	97702-40014	SCREW, TAPPING	3	
37	90183-05807	NUT, SPRING	1	
38	B17-F842M-00-P2	COVER 1	1	SMX FOR MDRM3,CM6
	B17-F842M-00-P0	COVER 1	1	VPBC5 FOR MS1
	B17-F842M-00-P1	COVER 1	1	MBL2 FOR MT2
39	90159-06033	SCREW, WITH WASHER	3	
40	90160-05009	SCREW, ROUND TAPPING	2	
41	90183-05807	NUT, SPRING	2	
42	B17-F842N-00	COVER 2	1	
43	90160-05009	SCREW, ROUND TAPPING	2	
44	B17-F836B-30	TUNING FORK MARK	1	
45	B17-F836B-20	TUNING FORK MARK	1	



B17B440-W330

FIG. 33 LEG SHIELD

REF. NO.	PART NO.	DESCRIPTION	B17B			REMARKS
46	B17-F837B-20	TUNING FORK MARK	1			
47	B17-F8391-J0	GRAPHIC 1	1			UR FOR MDRM3
	B17-F8391-K0	GRAPHIC 1	1			UR FOR MS1
	B17-F8391-L0	GRAPHIC 1	1			UR FOR MT2
	B17-F8391-M0	GRAPHIC 1	1			UR FOR CM6
48	B17-F8392-J0	GRAPHIC 2	1			UR FOR MDRM3
	B17-F8392-K0	GRAPHIC 2	1			UR FOR MS1
	B17-F8392-L0	GRAPHIC 2	1			UR FOR MT2
	B17-F8392-M0	GRAPHIC 2	1			UR FOR CM6
49	B17-F8393-H0	GRAPHIC 3	1			UR FOR MDRM3
	B17-F8393-J0	GRAPHIC 3	1			UR FOR MS1
	B17-F8393-K0	GRAPHIC 3	1			UR FOR MT2
	B17-F8393-L0	GRAPHIC 3	1			UR FOR CM6
50	B17-F8394-H0	GRAPHIC 4	1			UR FOR MDRM3
	B17-F8394-J0	GRAPHIC 4	1			UR FOR MS1
	B17-F8394-K0	GRAPHIC 4	1			UR FOR MT2
	B17-F8394-L0	GRAPHIC 4	1			UR FOR CM6
51	B17-F8398-E0	GRAPHIC 5	1			UR FOR MDRM3
	B17-F8398-F0	GRAPHIC 5	1			UR FOR MS1
	B17-F8398-G0	GRAPHIC 5	1			UR FOR MT2
	B17-F8398-H0	GRAPHIC 5	1			UR FOR CM6
52	B17-F8399-E0	GRAPHIC 6	1			UR FOR MDRM3
	B17-F8399-F0	GRAPHIC 6	1			UR FOR MS1
	B17-F8399-G0	GRAPHIC 6	1			UR FOR MT2
	B17-F8399-H0	GRAPHIC 6	1			UR FOR CM6
53	B17-F839A-60	GRAPHIC 7	1			UR FOR MDRM3
	B17-F839A-70	GRAPHIC 7	1			UR FOR MS1

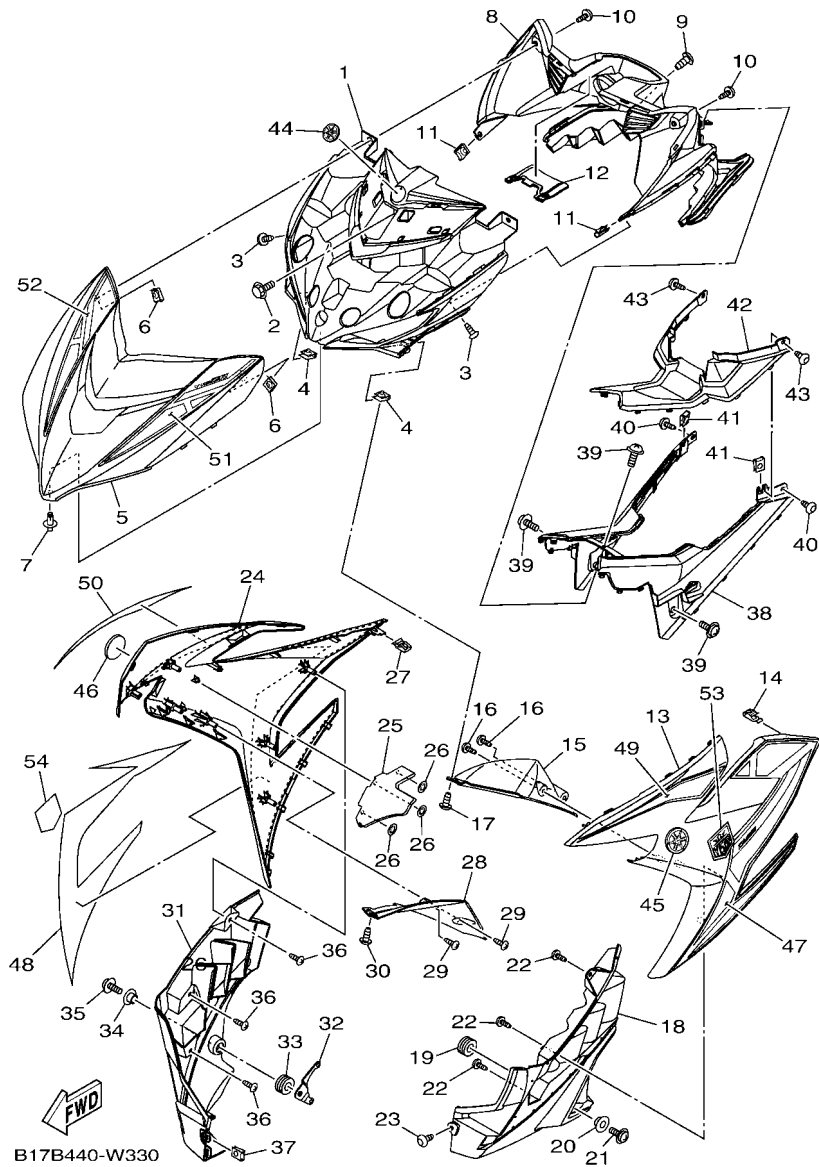
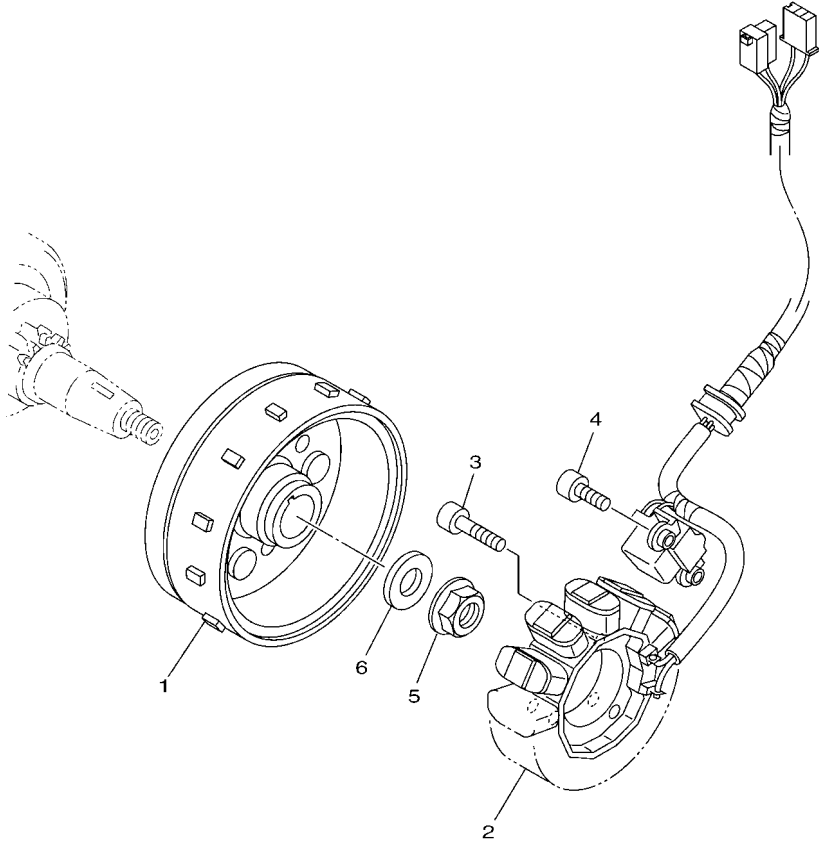


FIG. 33 LEG SHIELD

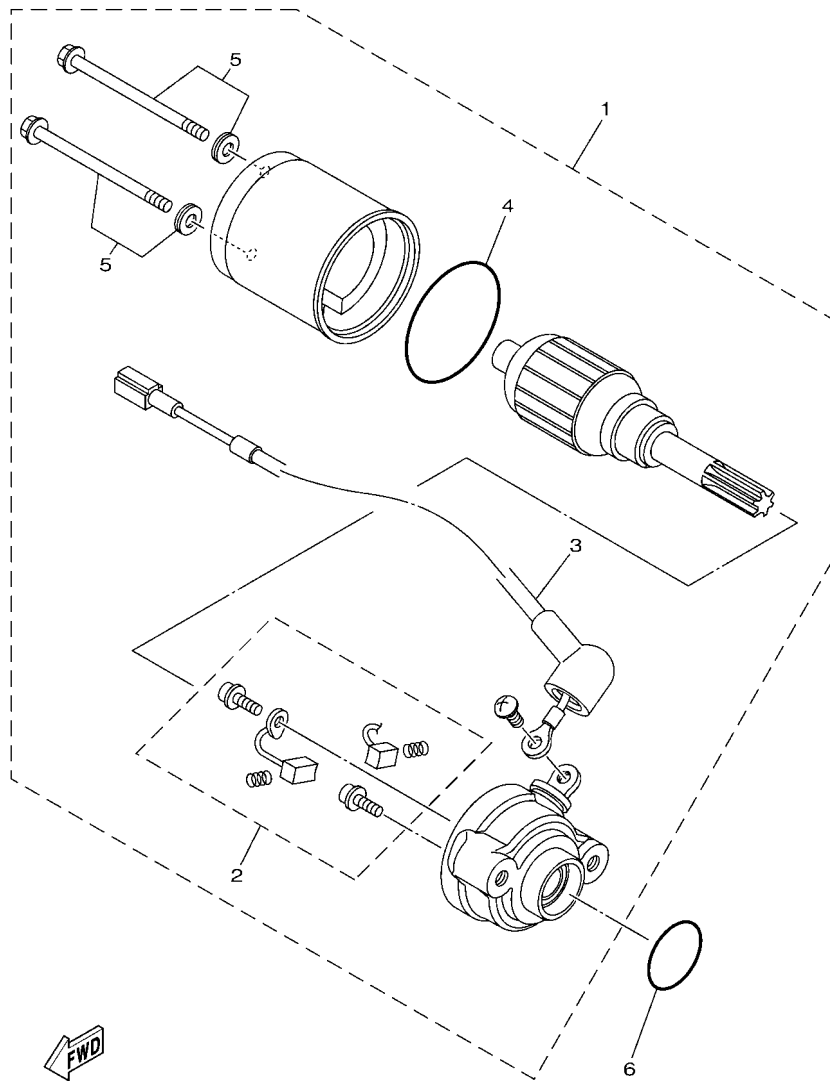
REF. NO.	PART NO.	DESCRIPTION	B17/B				REMARKS
53	B17-F839A-80	GRAPHIC 7	1				UR FOR MT2
	B17-F839A-90	GRAPHIC 7	1				UR FOR CM6
54	B17-F839E-60	GRAPHIC 8	1				UR FOR MDRM3
	B17-F839E-70	GRAPHIC 8	1				UR FOR MS1
	B17-F839E-80	GRAPHIC 8	1				UR FOR MT2
	B17-F839E-90	GRAPHIC 8	1				UR FOR CM6

FIG. 34 GENERATOR

REF. NO.	PART NO.	DESCRIPTION	B17B					REMARKS
1	2PV-H1450-01	ROTOR ASSY	1					
2	2PV-H1410-01	STATOR ASSY	1					
3	91332-06025	BOLT	3					
4	91332-06016	BOLT	2					
5	95702-12500	NUT, FLANGE	1					
6	90201-12019	WASHER, PLATE	1					



2ND1422-P360



2ND1422-P370

FIG. 35 STARTING MOTOR

REF. NO.	PART NO.	DESCRIPTION	B17/B	REMARKS
1	2PV-H1800-00	STARTING MOTOR ASSY	1	
2	5TP-H1801-00	.BRUSH SET	1	
3	5D7-H183G-00	.CORD COMP.	1	
4	5D9-H1861-00	.GASKET	1	
5	5D9-H1828-00	.SCREW SET	2	
6	93210-26805	O-RING	1	

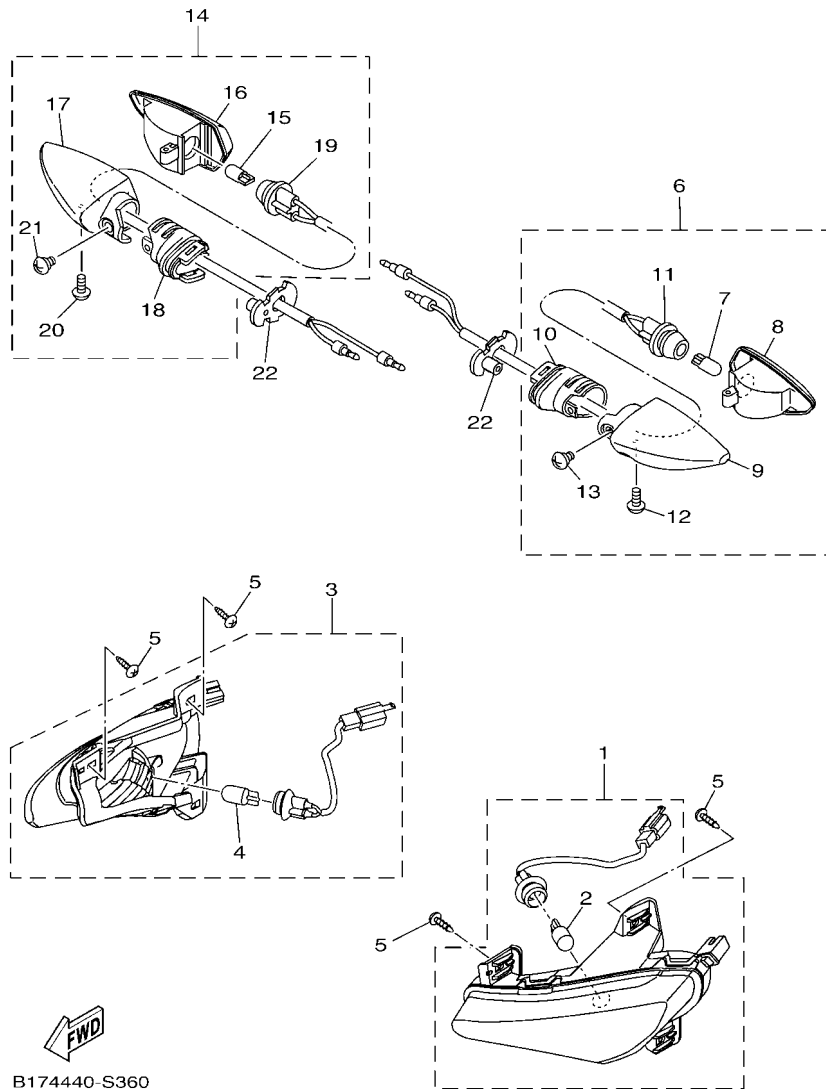
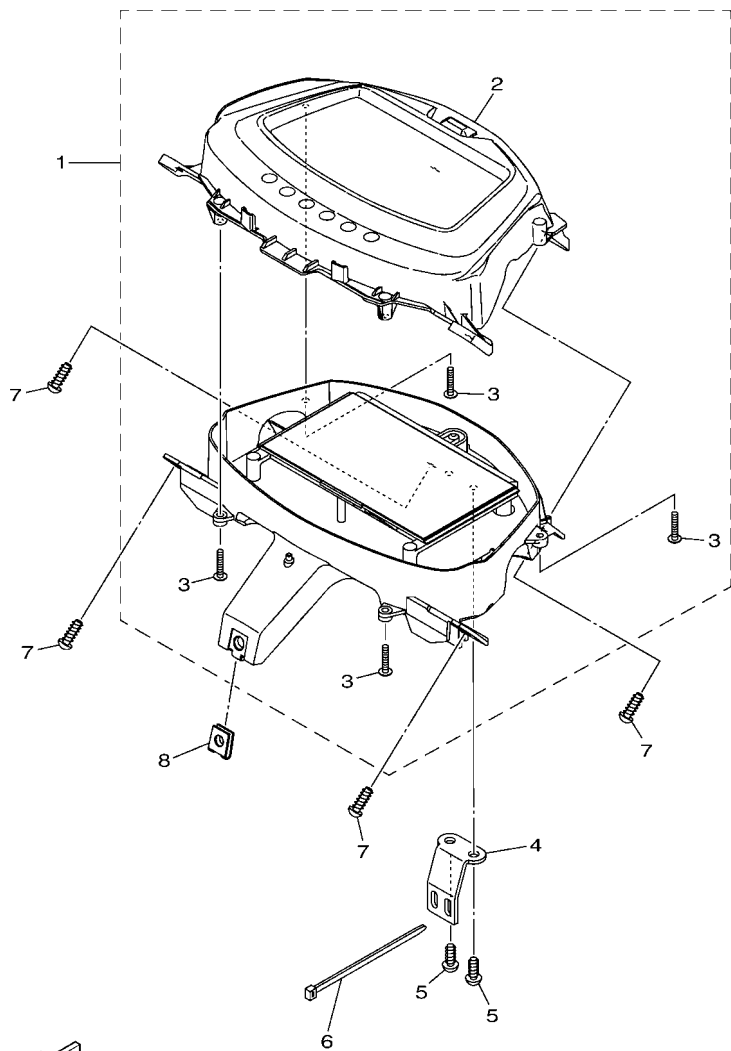


FIG. 36 FLASHER LIGHT

REF. NO.	PART NO.	DESCRIPTION	B17/B				REMARKS
1	2ND-H3310-10	FRONT FLASHER LIGHT ASSY 1	1				
2	2CB-H3311-00	.BULB, FLASHER (12V-10W)	1				
3	2ND-H3320-10	FRONT FLASHER LIGHT ASSY 2	1				
4	2CB-H3311-00	.BULB, FLASHER (12V-10W)	1				
5	97702-40014	SCREW, TAPPING	4				
6	2CB-H3330-10	REAR FLASHER LIGHT ASSY 1	1				
7	55D-H3311-00	.BULB, FLASHER (12V-10W)	1				
8	55D-H333A-00	.LENS COMP 1	1				
9	55D-H3323-00	.BODY	1				
10	55D-H3328-00	.STAY, FLASHER 2	1				
11	2CB-H331E-10	.CORD ASSY	1				
12	55D-H3333-00	.SCREW, LENS FITTING	1				
13	55D-H3358-00	.SCREW, SPECIAL	1				
14	2CB-H3340-10	REAR FLASHER LIGHT ASSY 2	1				
15	55D-H3311-00	.BULB, FLASHER (12V-10W)	1				
16	55D-H334A-00	.LENS COMP 2	1				
17	55D-H332M-00	.BODY 2	1				
18	55D-H3328-00	.STAY, FLASHER 2	1				
19	2CB-H334E-10	.CORD ASSY	1				
20	55D-H3333-00	.SCREW, LENS FITTING	1				
21	55D-H3358-00	.SCREW, SPECIAL	1				
22	1VP-H3318-00	STAY, FLASHER 1	2				

B174440-S360

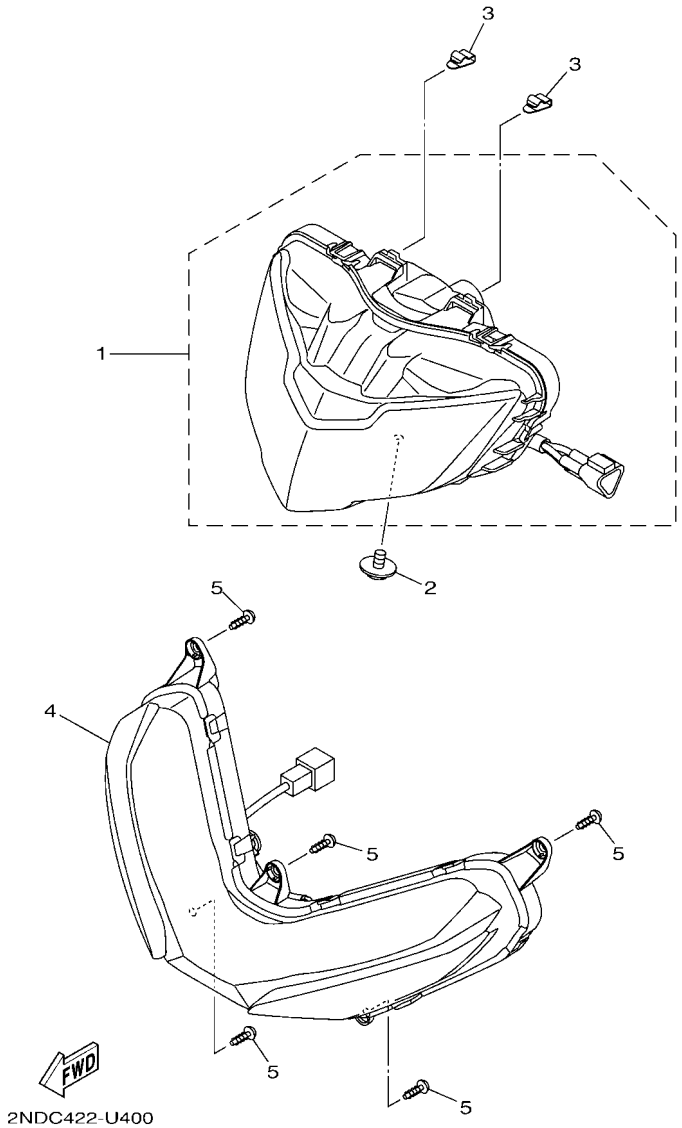
FIG. 37 METER



FWD
B186450-U400

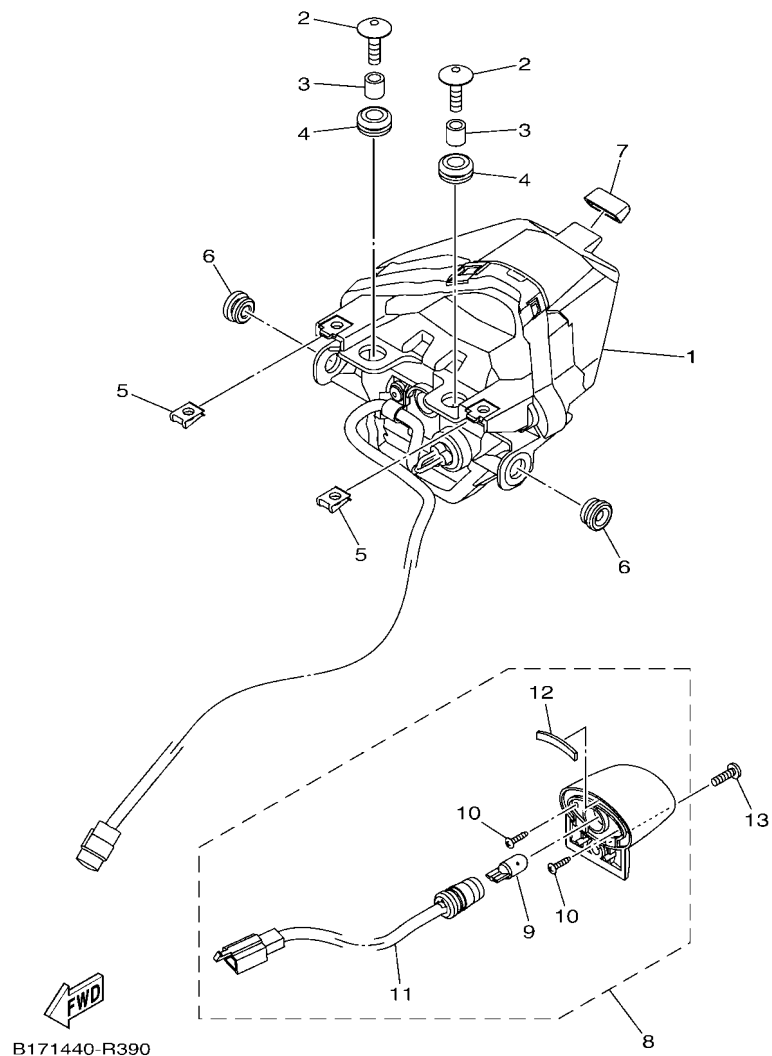
REF. NO.	PART NO.	DESCRIPTION	B17B				REMARKS
1	2PV-H3500-40	METER ASSY	1				
2	2PV-H3571-00	.CASE, SPEEDOMETER UPPER	1				
3	97702-30016	.SCREW,TAPPING	4				
4	B17-H3614-00	BRACKET	1				
5	97702-50016	SCREW,TAPPING	2				
6	90464-36800	CLAMP	1				
7	97702-50016	SCREW,TAPPING	4				
8	90183-05807	NUT, SPRING	1				

FIG. 38 HEADLIGHT



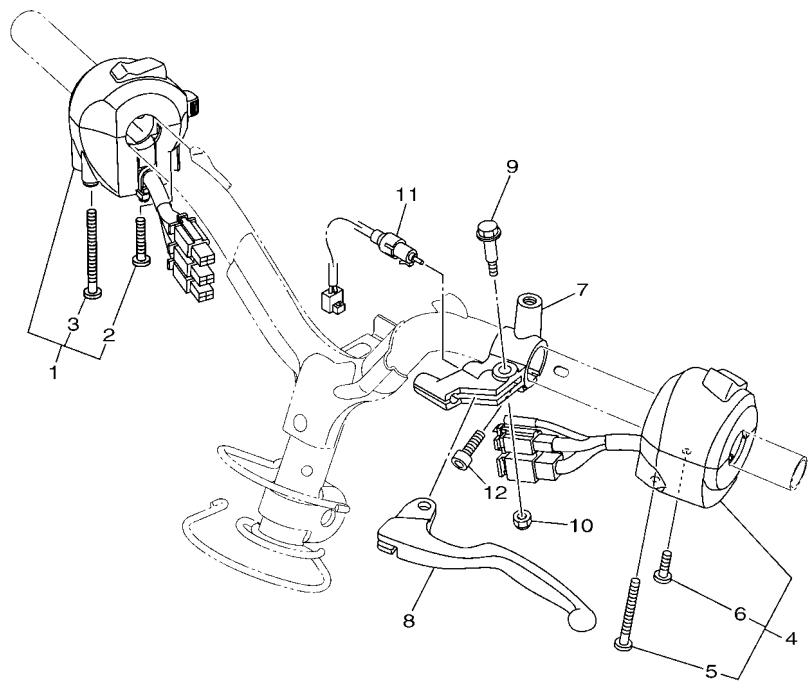
REF. NO.	PART NO.	DESCRIPTION	B17B				REMARKS
1	2ND-H4310-10	HEADLIGHT UNIT ASSY	1				
2	90119-06885	BOLT, WITH WASHER	1				
3	31D-H4374-00	CLIP	2				
4	2PV-H4301-00	PILOT LIGHT ASSY 1	1				
5	97702-50016	SCREW, TAPPING	5				

FIG. 39 TAILLIGHT



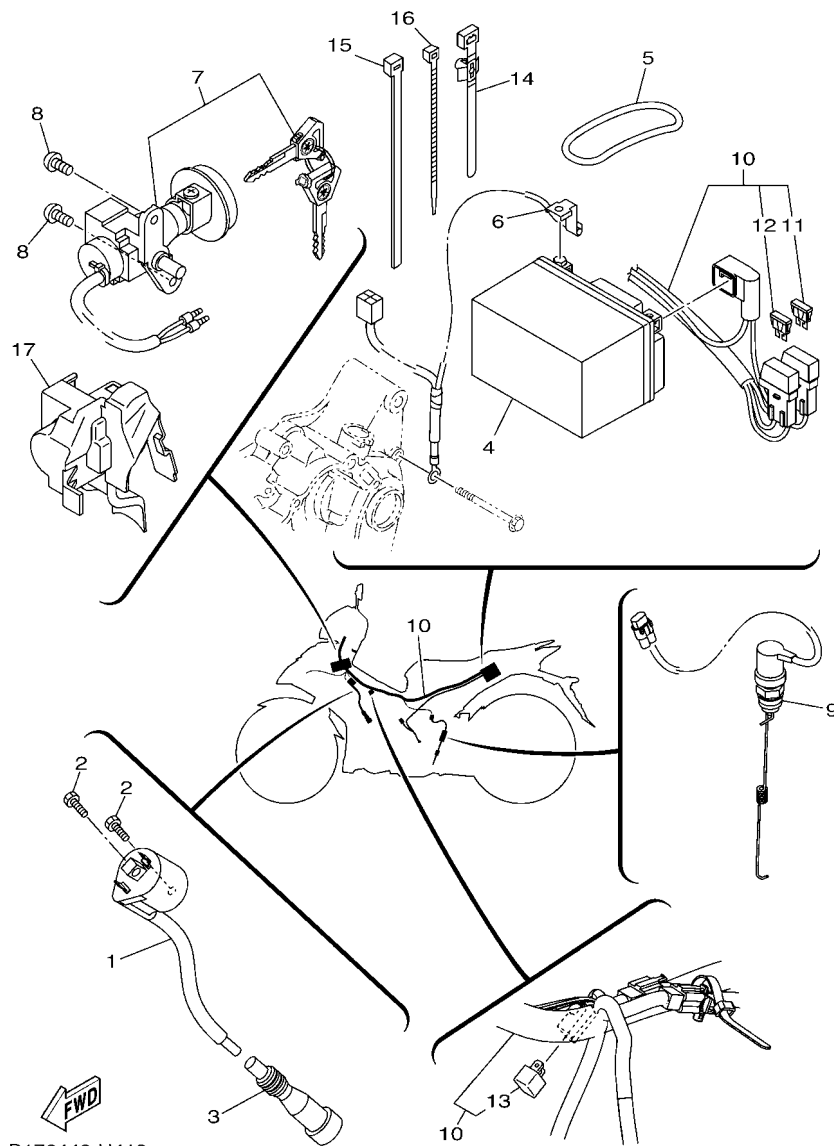
REF. NO.	PART NO.	DESCRIPTION	B17B				REMARKS
1	1WD-H4710-01	TAILLIGHT UNIT ASSY	1				
2	90111-06137	BOLT,HEX. SOCKET BUTTON	2				
3	90387-068C2	COLLAR	2				
4	90480-13001	GROMMET	2				
5	90183-05807	NUT, SPRING	2				
6	90480-10003	GROMMET	2				
7	B17-H4759-00	GROMMET	1				
8	2ND-H4740-00	LICENCE LIGHT ASSY	1				
9	2ND-H4744-00	.BULB (12V-5W)	1				
10	1CK-H4726-00	.SCREW	2				
11	1CK-H4547-00	.CORD, LICENCE LIGHT	1				
12	2ND-H4527-00	.DAMPER	1				
13	98907-04014	SCREW, BIND	1				

FIG. 40 HANDLE SWITCH & LEVER



REF. NO.	PART NO.	DESCRIPTION	B17/B				REMARKS
1	2PV-H3963-00	SWITCH, HANDLE 3	1				
2	45P-H2133-00	.SCREW, FITTING	1				
3	45P-H395W-00	.SCREW, SWITCH FITTING	1				
4	2PV-H3973-00	SWITCH, HANDLE 3	1				
5	BK6-H395W-00	.SCREW, SWITCH FITTING	1				
6	1WD-H2133-00	.SCREW, FITTING	1				
7	55P-H2911-00	HOLDER, LEVER 1	1				
8	55P-H3912-10	LEVER 1	1				
9	90109-06827	BOLT	1				
10	95607-06100	NUT, SELF-LOCKING	1				
11	55P-H2917-00	SWITCH	1				
12	91317-06020	BOLT,HEX.SOCKET HEAD	1				


B176440-U400



B176440-U410

FIG. 41 ELECTRICAL 1

REF. NO.	PART NO.	DESCRIPTION	B17/B				REMARKS
1	2PV-H2310-00	IGNITION COIL ASSY	1				
2	97002-06016	BOLT, HEXAGON	2				
3	2ND-H2370-00	PLUG CAP ASSY	1				
4	55D-H2100-00	BATTERY ASSY (PINACO PTZ5S)	1				
5	5VW-H2131-00	BAND, BATTERY	1				
6	B17-H2116-00	WIRE, MINUS LEAD	1				
7	B17-H252E-00	MAIN SWITCH COMP.	1				
8	90149-06309	SCREW	2				
9	2PV-H2530-00	STOP SWITCH ASSY	1				
10	B17-H2590-30	WIRE HARNESS ASSY	1				
11	1VP-H2151-00	.FUSE (15A)	1				
12	31D-H2151-00	.FUSE (7.5A)	1				
13	3WP-81980-00	.DIODE ASSY	1				
14	90464-34002	CLAMP	4				
15	90464-50800	CLAMP	2				
16	90464-36800	CLAMP	1				
17	1FC-F3472-10	PROTECTOR	1				

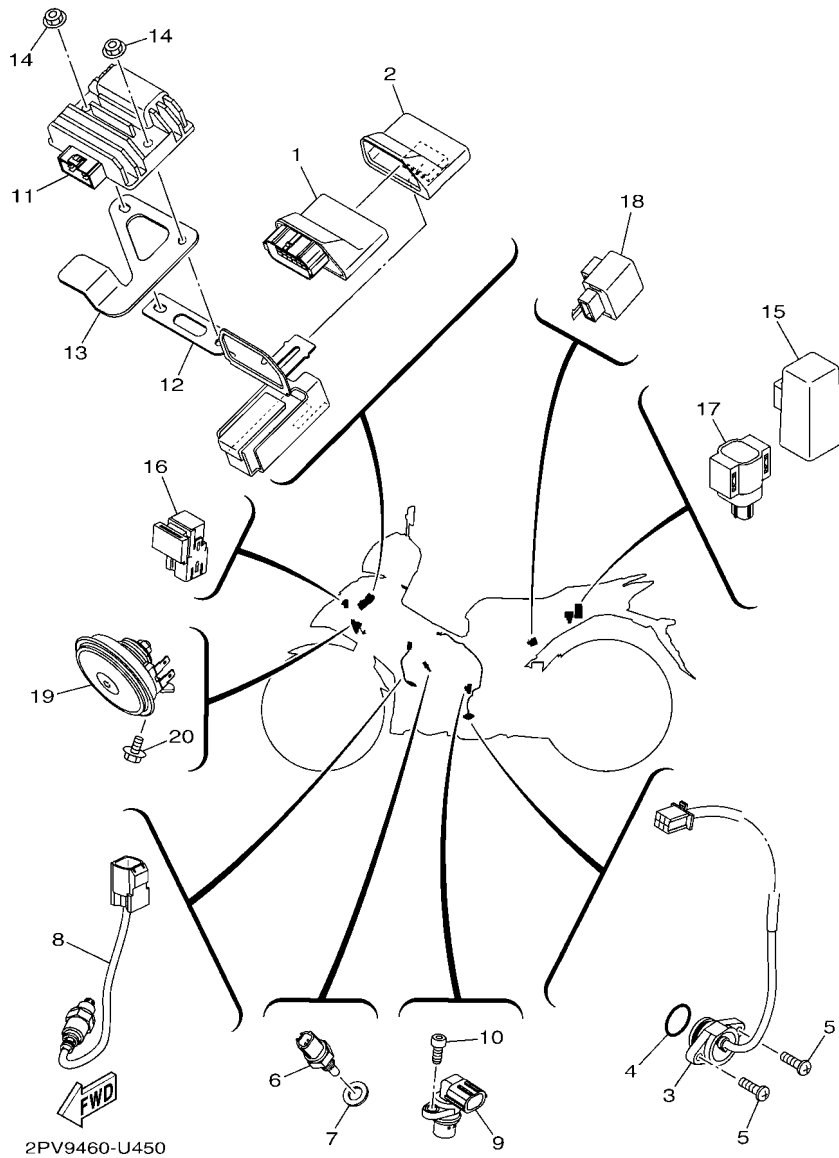


FIG. 42 ELECTRICAL 2

REF. NO.	PART NO.	DESCRIPTION	B17/B				REMARKS
1	2PV-H591A-10	ENGINE CONTROL UNIT ASSY	1				
2	2PV-H5546-10	BAND	1				
3	2ND-H2540-00	NEUTRAL SWITCH ASSY	1				
4	93210-21801	O-RING	1				
5	98502-05016	SCREW,PAN HEAD	2				
6	52B-H3591-00	THERMO UNIT	1				
7	90430-10807	GASKET	1				
8	2BM-H592A-20	SENSOR, OXYGEN	1				
9	B48-H3755-01	SENSOR, SPEED	1				
10	91332-06014	BOLT	1				
11	BK6-H1960-00	RECTIFIER & REGULATOR ASSY	1				
12	B17-F8426-10	BRACKET 1	1				
13	B17-F8469-00	BRKT 8	1				
14	95702-06500	NUT, FLANGE	2				
15	5TP-H1940-00	STARTER RELAY ASSY	1				
16	BK6-H1950-00	RELAY ASSY	1				
17	1PA-H2576-00	SENSOR, LEAN ANGLE	1				
18	3XV-83350-22	FLASHER RELAY ASSY	1				
19	B17-H3371-00	HORN	1				
20	95D02-06012	BOLT, FLANGE DEEP RECESS	1				

NUMERICAL INDEX

PART NO.	REF. NO.	PART NO.	REF. NO.	PART NO.	REF. NO.	PART NO.	REF. NO.	PART NO.	REF. NO.	PART NO.	REF. NO.
5YP-12411-00	6 - 1	2ND-E2161-00	3 - 11	2PV-E4412-00	8 - 18	45P-E6351-00	13 - 11	B17-F1629-01	18 - 10	5LL-F3144-00	22 - 14
50C-2536G-00	28 - 18	2PV-E2170-00	4 - 1	2PV-E441J-00	8 - 28	45P-E6356-00	13 - 15	B17-F164F-00	18 - 14	4UV-F3145-00	22 - 3
3GD-25803-00	28 - 7	2ND-E2210-20	4 - 16	2PV-E4437-10	8 - 25	1PA-E6357-00	13 - 22	B17-F164G-00	18 - 17		22 - 6
36Y-2589H-00	30 - 9	2PV-E2213-00	4 - 17	5TL-E443E-00	8 - 23	2ND-E6358-00	13 - 14	B17-F1650-00	20 - 6	2JG-F3147-00	22 - 17
5BU-27234-00	32 - 15	B63-E2223-00	5 - 2	2PV-E4450-00	8 - 19	45P-E6371-00	13 - 7	B17-F1711-00-P1	19 - 1	5TF-F3152-00	22 - 11
3WP-81980-00	41 - 13	52B-E2228-00	4 - 14	3C1-E4452-00	8 - 21	2ND-E6380-00	13 - 20	B17-F171E-00-P5	19 - 13	5P0-F3153-00	22 - 18
3XV-83350-22	42 - 18	1PA-E2231-00	4 - 12	2PV-E4453-00	8 - 20	3C1-E7121-00	14 - 6	B17-F1721-00-P1	19 - 2	5P0-F3156-00	22 - 4
B17-E1102-00	1 - 1	2PV-E2241-00	4 - 13	3C1-E4485-00	8 - 26	3C1-E7131-00	14 - 5	B17-F172K-00	19 - 17		22 - 7
1S8-E111F-00	4 - 9	3C1-E2256-00	4 - 15	1S8-E4613-00	9 - 6	BK8-E7151-00	14 - 2	B17-F172L-00	19 - 22	2ND-F3157-00	22 - 10
1S7-E1133-10	1 - 2	2PV-E2280-00	4 - 6	B17-E4703-00	9 - 1	3C1-E7211-00	14 - 12	B17-F172M-00	19 - 25	509-F3158-L0	22 - 12
2PV-E1166-00	8 - 31	1S7-E2288-00	4 - 7	B17-E4718-00	9 - 2	BK8-E7221-00	14 - 20	B17-F172M-10	19 - 23	2ND-F3170-10	22 - 9
2PV-E1181-00	1 - 15	2ND-E2405-10	6 - 6	B17-E4747-00	31 - 47	BK6-E7231-00	14 - 18	1S8-F172W-00	19 - 27	31D-F3181-50	22 - 13
2PV-E1185-00	5 - 4	2ND-E240A-10	6 - 4	B17-E4799-00	9 - 4	BK6-E7241-00	14 - 17	B17-F1731-00-P5	19 - 3	B17-F331A-10	21 - 8
B17-E1191-00	1 - 7	1S8-E2413-00	6 - 2	2PV-E5113-00	11 - 7	2PV-E7251-00	14 - 14	B17-F173E-J0	19 - 33	B17-F3340-00	22 - 19
2PV-E1193-00	1 - 11	2PV-E2422-00	5 - 1	B17-E5142-00	11 - 15	3C1-E7285-00	14 - 19	B17-F173E-K0	19 - 33	31B-F3346-00	22 - 21
2ND-E1196-00	5 - 5	2PV-E2428-00	5 - 3	B17-E5150-00	10 - 1	2PV-E7402-20	14 - 11	B17-F173E-L0	19 - 33	B17-F334G-00	21 - 14
2PV-E1311-10	1 - 19	2PV-E2443-00	1 - 8	1S8-E5351-00	7 - 3	2PV-E7411-00	14 - 1	B17-F173E-M0	19 - 33	B17-F3391-00-P0	33 - 5
1S8-E1351-00	1 - 20	1S7-E2450-01	5 - 7	3C1-E5362-00	11 - 16	3C1-E7411-10	14 - 1	B17-F173F-H0	19 - 34	B17-F3391-00-P1	33 - 5
2PV-E1361-00	1 - 12	2ND-E2461-00	6 - 5	55P-E5377-00	10 - 6	1S8-E7456-00	14 - 27	B17-F173F-J0	19 - 34	4FP-F3411-10	22 - 20
B17-E1400-00	2 - 1	B17-E2481-00	6 - 13	B17-E5411-00	11 - 1	3C1-E7471-00	14 - 9	B17-F173F-K0	19 - 34	4RT-F3411-10	21 - 4
2ND-E1412-00	2 - 2	B17-E2482-00	6 - 15	B17-E5418-00	11 - 8	2ND-E8101-01	16 - 4	B17-F173F-L0	19 - 34	1KL-F3412-10	21 - 1
B17-E1412-00	2 - 2	2PV-E2576-00	6 - 17	B17-E5421-00	11 - 10	B17-E8110-10	16 - 9	B17-F1741-00-P5	19 - 8	4RT-F3412-10	21 - 3
2ND-E1422-00	2 - 6	2ND-E2590-10	6 - 9	2PV-E5441-00	4 - 18	5H3-E8113-00	16 - 10	B17-F174G-H0	19 - 35	5TL-F3416-00	21 - 6
B17-E1422-00	2 - 6	2ND-E2671-00	6 - 8	2PV-E5451-00	11 - 2	21C-E8140-00	16 - 1	B17-F174G-J0	19 - 35	1P6-F341E-10	21 - 5
2FB-E1454-00	2 - 21	2ND-E2675-00	6 - 7	2PV-E5461-00	11 - 11	3C1-E8337-00	16 - 3	B17-F174G-K0	19 - 35	5VL-F341E-10	21 - 2
21C-E1496-20	2 - 16	2PV-E3300-01	7 - 1	B17-E5514-00	12 - 2	2ND-E8511-00	15 - 4	B17-F174G-L0	19 - 35	1FC-F3472-10	41 - 17
BK6-E1531-00	2 - 22	2PV-E3324-00	7 - 8	38B-E5521-00	12 - 3	2ND-E8512-00	15 - 5	B17-F174H-H0	19 - 36	B17-F4100-01	23 - 1
BK6-E1536-00	2 - 15	3C1-E3327-00	7 - 13	2PV-E5524-10	12 - 6	2ND-E8513-00	15 - 6	B17-F174H-J0	19 - 36	2ND-F414G-00	29 - 2
3C1-E1549-10	2 - 7	38B-E3411-00	7 - 4	2PV-E5572-00	12 - 12	1PA-E8531-00	15 - 7	B17-F174H-K0	19 - 36	1DB-F414G-01	23 - 10
2PV-E1603-00	2 - 14	38B-E3440-01	7 - 7	2PV-E5580-00	12 - 9	38B-E8531-00	15 - 7	B17-F174H-L0	19 - 36	B17-F41B1-00	23 - 16
2ND-E1631-00	2 - 11	55C-E3447-00	7 - 9	5YP-E5580-00	12 - 9	2PV-E8540-10	15 - 1	55C-F1817-00	19 - 30	B17-F4452-00	23 - 17
2ND-E1633-00	2 - 12	2FB-E3556-00	8 - 2	5HV-E5583-00	12 - 10	5TP-E8542-00	15 - 2	1S9-F1871-01	19 - 15	B17-F4491-00	23 - 11
3C1-E1651-11	2 - 5	2PV-E3557-00	8 - 12	2PH-E5583-10	12 - 10	B17-F1110-10	17 - 1	5YP-F1875-01	19 - 21	4YY-F4610-00	23 - 14
3C1-E1681-10	2 - 3	2PV-E3585-00	8 - 1	1ST-E5614-00	12 - 11	B17-F113J-00	22 - 22	B17-F1978-00	24 - 11	4YY-F4612-00	23 - 15
1S7-E1951-00	5 - 8	1PA-E3635-00	8 - 3	5YP-E5614-00	12 - 11	B17-F113K-00	22 - 26	B17-F199H-00	33 - 25	B17-F470F-00	24 - 2
1S7-E1952-02	5 - 9	2PV-E3750-01	8 - 15	3C1-E6111-00	13 - 1	55P-F1173-00	19 - 24	B17-F2100-10-P0	20 - 1	5VT-F4723-00	24 - 3
2PV-E2111-00	3 - 1	BB8-E3761-10	8 - 7	45P-E6135-00	13 - 18	B17-F133F-00	32 - 20	5B9-F2123-00	20 - 2	2WB-F4727-00	24 - 4
B48-E2113-00	3 - 4	BK6-E3767-00	8 - 14	3C1-E6144-00	13 - 16	B17-F137U-00	33 - 15	B17-F2151-10	20 - 3	B17-F4730-00	24 - 1
1PA-E2117-00	3 - 6	BB8-E3770-10	8 - 6	2PV-E6150-00	13 - 5	B17-F137V-00	33 - 28	B17-F2167-10	28 - 3	B17-F4730-30	24 - 1
3S0-E2118-00	3 - 5	2ND-E3907-00	23 - 7	2ND-E6154-00	13 - 6	2PV-F1398-10	24 - 12	B17-F2174-00	27 - 21	55C-F4742-00	32 - 16
1PA-E2119-00	3 - 3	54P-E3915-00	23 - 8	38B-E6193-00	13 - 2	B17-F1511-10-P1	18 - 1	B17-F2210-00	20 - 9	B17-F4773-00-P0	24 - 9
2PV-E2121-00	3 - 2	54P-E3938-00	8 - 10	2PV-E6321-00	13 - 8	B17-F1511-10-P6	18 - 1	B17-F2535-00	17 - 8	B17-F4773-00-P5	24 - 9
55P-E2126-00	3 - 7	2PV-E3971-01	23 - 13	2PV-E6324-00	13 - 10	B17-F1511-10-P7	18 - 1	B17-F3100-10	22 - 1	1DY-F4780-00	24 - 5
2ND-E2151-00	3 - 8	54P-E4137-00	8 - 11	2UP-E6331-00	13 - 9	B17-F1511-10-P8	18 - 1	2PV-F3110-20	22 - 8	B17-F478E-00	24 - 7
1CK-E2156-00	3 - 14	54P-E4147-00	8 - 8	2ND-E6333-00	13 - 12	B17-F1513-00	18 - 2	1FC-F3111-10	22 - 16	B17-F478X-00	17 - 2
5YP-E2157-01	4 - 8	5CA-E4147-00	8 - 9	45P-E6337-00	13 - 13	B17-F1514-00	18 - 3	2ND-F3126-00	22 - 2	B17-F5168-00-33	25 - 1
2ND-E2159-00	3 - 9	2PV-E4199-00	8 - 4	3C1-E6344-00	13 - 17	B17-F160E-00	18 - 18	B17-F3136-00	22 - 5	B17-F5168-00-7X	25 - 1
	3 - 12	2PV-E4411-00	8 - 17	2PV-E6345-00	13 - 21	B17-F1611-00	18 - 6	2PV-F3141-20	22 - 15	3NA-F5181-01	25 - 8

NUMERICAL INDEX

PART NO.	REF. NO.	PART NO.	REF. NO.	PART NO.	REF. NO.	PART NO.	REF. NO.	PART NO.	REF. NO.	PART NO.	REF. NO.
B17-F5317-00	27 - 2	4S3-F5895-00	32 - 13	B17-F7452-00-P0	31 - 29	B17-F8399-H0	33 - 52	2CB-H331E-10	36 - 11	90105-10855	20 - 10
B17-F5338-00-33	27 - 1	50C-F589A-00	32 - 14	B17-F7461-00	31 - 23	B17-F839A-60	33 - 53	2ND-H3320-10	36 - 3	90105-10896	29 - 3
B17-F5338-00-9X	27 - 1	50C-F5914-00	28 - 10	B17-F7462-00-P0	31 - 38	B17-F839A-70	33 - 53	55D-H3323-00	36 - 9	90105-108B4	17 - 5
B17-F5364-00	27 - 4	50C-F5916-00	28 - 20	B17-F8100-10	18 - 19	B17-F839A-80	33 - 53	55D-H3328-00	36 - 10	90105-108B5	17 - 4
B17-F5366-00	27 - 6	2BM-F5917-00	26 - 6	B17-F8170-00	18 - 20	B17-F839A-90	33 - 53		36 - 18	90109-06279	16 - 2
B17-F5377-00	27 - 7	50C-F5917-00	28 - 15	B17-F8322-00	33 - 32	B17-F839E-60	33 - 54	55D-H332M-00	36 - 17	90109-06577	30 - 14
4NP-F5381-00	20 - 4	2BM-F5919-00	26 - 11	B17-F835U-00-P6	33 - 13	B17-F839E-70	33 - 54	2CB-H3330-10	36 - 6	90109-06827	40 - 9
5BP-F5381-00	27 - 16	50C-F5919-00	28 - 8	B17-F835U-00-P7	33 - 13	B17-F839E-80	33 - 54	55D-H3333-00	36 - 12	90109-068A4	18 - 4
1CK-F5383-00	27 - 24	2ND-F5920-00	26 - 13	B17-F835U-00-P9	33 - 13	B17-F839E-90	33 - 54		36 - 20	90109-08034	31 - 12
B17-F5383-00	27 - 24	1PA-F5921-01	28 - 16	B17-F835U-00-PB	33 - 13	B17-F8426-10	42 - 12	55D-H333A-00	36 - 8	90109-08087	26 - 2
2ND-F5388-00	27 - 20	5YP-F5924-00	26 - 12	B17-F835V-00-P6	33 - 24	B17-F842M-00-P0	33 - 38	2CB-H3340-10	36 - 14		28 - 2
B17-F5388-01	27 - 20	5YP-F5925-01	26 - 10	B17-F835V-00-P7	33 - 24	B17-F842M-00-P1	33 - 38	55D-H334A-00	36 - 16	90110-06873	12 - 13
B17-F5442-00	27 - 10	50C-F5933-00	28 - 19	B17-F835V-00-P9	33 - 24	B17-F842M-00-P2	33 - 38	2CB-H334E-10	36 - 19	90111-06137	39 - 2
B17-F5689-00	27 - 13	50C-F5937-00	28 - 14	B17-F835V-00-PB	33 - 24	B17-F842N-00	33 - 42	55D-H3358-00	36 - 13	90111-06807	9 - 3
2BM-F5802-00	26 - 4	5YP-F5937-00	26 - 7	B17-F836B-20	33 - 45	B17-F843J-00	33 - 12		36 - 21		9 - 5
50C-F5802-00	28 - 6	50C-F5961-00	28 - 17	B17-F836B-30	19 - 32	B17-F8469-00	42 - 13	B17-H3371-00	42 - 19	90111-06848	18 - 11
5YP-F5803-50	26 - 5	B17-F6110-10	29 - 1		33 - 44	2PV-H1410-01	34 - 2	2PV-H3500-40	37 - 1	90116-08826	27 - 11
2DP-F5805-00	26 - 9	B17-F6143-10	29 - 5	B17-F836K-00	33 - 1	2PV-H1450-01	34 - 1	2PV-H3571-00	37 - 2	90119-06044	18 - 8
1PA-F5806-00	28 - 11	B17-F6145-10	29 - 10	B17-F836L-00	33 - 8	2PV-H1800-00	35 - 1	52B-H3591-00	42 - 6		19 - 16
2ND-F5808-00	32 - 2	4US-F6199-00	29 - 15	1S8-F8372-00	23 - 6	5TP-H1801-00	35 - 2	B17-H3614-00	37 - 4	90119-06137	8 - 30
5PO-F580A-00	30 - 6	B17-F61AA-00-P0	29 - 20	5P0-F8379-00	33 - 14	5D9-H1828-00	35 - 5	B48-H3755-01	42 - 9		33 - 2
2ND-F580E-00	32 - 1	B17-F61AA-00-P2	29 - 20		33 - 27	5D7-H183G-00	35 - 3	55P-H3912-10	40 - 8	90119-06155	20 - 7
2ND-F580U-01	26 - 3	B17-F61AA-00-P4	29 - 20	B17-F837B-20	33 - 46	5D9-H1861-00	35 - 4	2ND-H3922-00	30 - 13	90119-06885	38 - 2
1PA-F580W-01	28 - 5	B17-F61AA-00-P5	29 - 20	B17-F8385-00	33 - 18	5TP-H1940-00	42 - 15	45P-H395W-00	40 - 3	90123-08046	29 - 31
50C-F5827-00	28 - 12	B17-F6216-10-P0	29 - 16	B17-F8391-J0	33 - 47	BK6-H1950-00	42 - 16	BK6-H395W-00	40 - 5	90149-06309	41 - 8
50C-F5828-00	28 - 13	B17-F6240-02	29 - 23	B17-F8391-K0	33 - 47	BK6-H1960-00	42 - 11	2PV-H3963-00	40 - 1	90159-06033	33 - 21
50C-F582A-50	32 - 5	1VP-F6241-00	29 - 24	B17-F8391-L0	33 - 47	55D-H2100-00	41 - 4	2PV-H3973-00	40 - 4		33 - 35
B17-F582U-00	26 - 1	1VB-F6246-00	29 - 29	B17-F8391-M0	33 - 47	B17-H2116-00	41 - 6	2DP-H3980-01	30 - 16		33 - 39
2ND-F582U-11	26 - 1	55C-F6259-00	32 - 17	B17-F8392-J0	33 - 48	5VW-H2131-00	41 - 5	2PV-H4301-00	38 - 4	90159-06817	33 - 9
2PV-F582W-00	28 - 1	B17-F6280-10	29 - 25	B17-F8392-K0	33 - 48	1WD-H2133-00	40 - 6	2ND-H4310-10	38 - 1	90160-05009	19 - 4
B17-F582W-00	28 - 1	B17-F6290-10	29 - 26	B17-F8392-L0	33 - 48	45P-H2133-00	40 - 2	31D-H4374-00	38 - 3		19 - 9
2PV-F583T-12	30 - 4	B17-F6301-10	29 - 27	B17-F8392-M0	33 - 48	1VP-H2151-00	41 - 11	2ND-H4527-00	39 - 12		19 - 14
2ND-F5852-00	30 - 8	B17-F6335-00	29 - 30	B17-F8393-H0	33 - 49	31D-H2151-00	41 - 12	1CK-H4547-00	39 - 11		29 - 12
50C-F5852-00	32 - 9	B17-F6477-00	29 - 22	B17-F8393-J0	33 - 49	2PV-H2310-00	41 - 1	1WD-H4710-01	39 - 1		33 - 3
2ND-F5854-00	30 - 7	B17-F7111-10	31 - 1	B17-F8393-K0	33 - 49	2ND-H2370-00	41 - 3	1CK-H4726-00	39 - 10		33 - 10
2VN-F5854-00	32 - 11	5YP-F7112-00	31 - 3	B17-F8393-L0	33 - 49	B17-H252E-00	41 - 7	2ND-H4740-00	39 - 8		33 - 17
2ND-F5855-00	30 - 11	31D-F7114-00	31 - 2	B17-F8394-H0	33 - 50	2PV-H2530-00	41 - 9	2ND-H4744-00	39 - 9		33 - 23
50C-F5855-00	32 - 10	B17-F7211-10	31 - 9	B17-F8394-J0	33 - 50	2ND-H2540-00	42 - 3	B17-H4759-00	39 - 7		33 - 30
50C-F5866-00	32 - 6	50C-F7222-00	32 - 4	B17-F8394-K0	33 - 50	1PA-H2576-00	42 - 17	2FC-H5111-00	22 - 23		33 - 40
5TL-F5867-11	30 - 12	B17-F7311-10	31 - 11	B17-F8394-L0	33 - 50	B17-H2590-30	41 - 10		22 - 27		33 - 43
2ND-F5870-00	30 - 5	B17-F7411-00	31 - 15	B17-F8395-00	33 - 31	55P-H2911-00	40 - 7	55D-H5130-00	18 - 13	90163-05803	8 - 22
2PV-F5872-01	30 - 1	B17-F7413-00	31 - 18	B17-F8398-E0	33 - 51	55P-H2917-00	40 - 11	2PV-H5546-10	42 - 2	90170-05803	3 - 10
2ND-F5873-20	32 - 26		31 - 24	B17-F8398-F0	33 - 51	2ND-H3310-10	36 - 1	2ND-H5752-00	23 - 9		3 - 13
B17-F5876-00	21 - 12	3C1-F7431-01	31 - 30	B17-F8398-G0	33 - 51	2CB-H3311-00	36 - 2	2PV-H591A-10	42 - 1	90170-08401	29 - 32
2PV-F587A-00	21 - 10	B17-F7437-00	31 - 35	B17-F8398-H0	33 - 51		36 - 4	2BM-H592A-20	42 - 8	90170-10012	2 - 28
55C-F5888-00	32 - 18		31 - 44	B17-F8399-E0	33 - 52	55D-H3311-00	36 - 7	4C9-W0048-00	26 - 8	90179-10805	17 - 6
3RW-F5889-00	30 - 10	3C1-F7441-01	31 - 39	B17-F8399-F0	33 - 52		36 - 15	50C-W0048-00	28 - 9	90179-12808	13 - 4
50C-F5894-11	32 - 8	B17-F7451-00	31 - 17	B17-F8399-G0	33 - 52	1VP-H3318-00	36 - 22	90105-10831	26 - 14	90179-14001	13 - 19

NUMERICAL INDEX

PART NO.	REF. NO.	PART NO.	REF. NO.	PART NO.	REF. NO.	PART NO.	REF. NO.	PART NO.	REF. NO.	PART NO.	REF. NO.
90179-25002	21 - 7	90269-06816	33 - 7	90480-15808	6 - 10	91810-14809	11 - 3	93608-30839	16 - 7	95E32-06010	14 - 28
90183-05801	33 - 26	90280-03017	2 - 10	90480-18418	33 - 19		11 - 12	93822-14800	14 - 26	95E32-06012	7 - 14
90183-05807	18 - 9	90282-05031	2 - 26		33 - 33	92012-05012	29 - 28	93900-00817	25 - 6	95E32-06016	11 - 9
	19 - 6	90338-30802	12 - 1	90480-18810	23 - 4	92902-06600	27 - 22		27 - 15	95E32-06020	1 - 9
	19 - 11	90340-12813	1 - 3	90480-18811	23 - 5	93101-10843	11 - 18	94109-17805	25 - 5		6 - 3
	29 - 8	90340-14824	11 - 5	90501-030A0	12 - 12	93102-12862	13 - 25	94109-17809	25 - 5		7 - 10
	29 - 13	90387-06144	19 - 19	90501-06022	15 - 3	93102-12891	16 - 8	94112-17804	27 - 14		8 - 5
	29 - 21	90387-068C2	39 - 3	90501-06800	15 - 8	93102-20892	14 - 25	94112-17809	27 - 14	95E32-06025	4 - 19
	33 - 4	90387-08812	31 - 48	90501-12743	31 - 32	93106-20816	25 - 3	94568-06122	27 - 25		5 - 13
	33 - 6	90387-08835	23 - 3		31 - 41	93106-22808	27 - 5	94568-H4096	4 - 11	95E32-06040	10 - 7
	33 - 11	90387-09801	33 - 20	90501-16800	2 - 19	93106-26815	27 - 8	94700-00330	1 - 14		11 - 4
	33 - 37		33 - 34	90501-18576	7 - 5	93210-09806	4 - 3	95022-06012	5 - 12		11 - 13
	33 - 41	90387-10277	25 - 7	90506-20041	31 - 10	93210-148F8	11 - 6	95022-06025	5 - 11	95E32-06045	10 - 4
	37 - 8	90387-15810	2 - 23	90506-23809	31 - 14	93210-15620	32 - 7	95301-08700	32 - 3	95E32-06050	5 - 14
	39 - 5	90387-15830	27 - 19	90506-35806	31 - 5	93210-19809	5 - 15	95302-06600	27 - 23		11 - 14
90185-05803	22 - 24	90387-17804	14 - 13	90508-183B9	31 - 20		11 - 17	95307-08700	31 - 13	95E32-06055	10 - 3
	22 - 28	90401-10812	30 - 2		31 - 26	93210-21801	42 - 4	95602-06100	30 - 15	95E32-06070	10 - 5
90185-10011	29 - 4		32 - 27	90508-32837	16 - 5	93210-26805	35 - 6	95602-08200	27 - 12	95E32-06080	7 - 11
90185-10091	25 - 9	90430-06803	1 - 5	90520-02813	17 - 10	93210-34802	7 - 6	95602-10200	20 - 11	95E32-06090	11 - 19
90201-06880	6 - 12		1 - 10	90520-08802	29 - 17	93210-54805	7 - 12	95602-14200	27 - 17	97002-06016	41 - 2
90201-08083	32 - 24		1 - 22	90520-10834	29 - 6	93210-84804	5 - 6	95607-06100	40 - 10	97022-06012	18 - 5
90201-08612	9 - 8	90430-10807	42 - 7	90560-10292	25 - 2	93306-000Y3	5 - 10	95607-06200	18 - 15	97602-04312	30 - 18
90201-086P8	31 - 37	90445-09823	19 - 28	91312-06025	30 - 17	93306-001X6	4 - 5	95612-08630	1 - 6	97702-30016	37 - 3
	31 - 46	90445-22800	31 - 6	91312-06100	1 - 18	93306-003YN	14 - 23	95614-12100	20 - 5	97702-40014	19 - 5
90201-08730	9 - 10	90450-27806	6 - 14	91312-08016	32 - 22	93306-004XV	27 - 9	95702-06500	42 - 14		19 - 10
90201-08859	1 - 13		6 - 16	91312-08020	16 - 11	93306-054XB	14 - 7	95702-08500	9 - 7		33 - 16
90201-10118	30 - 3	90450-39806	8 - 34		32 - 21	93306-204Y7	14 - 24	95702-12500	34 - 5		33 - 22
	32 - 28	90450-48803	8 - 16	91312-08025	31 - 36	93306-252X7	27 - 3	95812-06030	8 - 13		33 - 29
90201-101J1	25 - 10	90464-16012	20 - 8		31 - 45	93306-252XY	2 - 24	95D02-06012	17 - 3		33 - 36
90201-105E8	12 - 4	90464-34002	41 - 14	91317-06020	40 - 12	93306-252YL	14 - 8		17 - 9		36 - 5
90201-12019	13 - 3	90464-36800	37 - 6	91332-05010	23 - 12	93306-253YB	2 - 25		21 - 9	97702-50016	29 - 7
	34 - 6		41 - 16	91332-06014	42 - 10	93306-300YN	25 - 4		21 - 11		29 - 11
90201-14811	31 - 7	90464-50800	41 - 15	91332-06016	34 - 4	93306-305X7	2 - 9		21 - 13		29 - 19
90201-15030	27 - 18	90464-54086	18 - 7	91332-06025	34 - 3	93306-305XP	2 - 8		21 - 15		37 - 5
90201-15821	2 - 17	90467-08003	19 - 29	91401-20012	32 - 25	93306-305XR	2 - 9		22 - 25		37 - 7
90201-173F4	14 - 22	90467-09006	19 - 31	91401-25015	31 - 22	93306-305YF	2 - 8		42 - 20		38 - 5
90201-20814	14 - 21	90467-10805	6 - 18		31 - 28	93306-906Y4	4 - 2	95D02-06030	23 - 2	97707-50012	29 - 18
90201-25290	12 - 8	90467-12085	32 - 12		31 - 34	93310-325X1	12 - 7	95D32-06010	19 - 26	98502-05010	24 - 8
90208-20003	13 - 27	90467-12800	8 - 24		31 - 43	93310-528YK	2 - 4	95D32-06016	6 - 11	98502-05014	31 - 19
90209-17285	14 - 3	90467-13064	8 - 32	91401-30030	31 - 4	93315-112Y9	13 - 24		18 - 16		31 - 25
90209-18208	14 - 15	90467-13858	8 - 33		31 - 8	93410-20038	14 - 4	95D32-06020	24 - 10	98502-05016	42 - 5
90214-10800	2 - 18	90467-20804	8 - 27	91701-08035	31 - 21	93410-22039	14 - 16	95D32-06025	19 - 18	98502-05025	7 - 2
90215-10284	2 - 27	90467-22801	8 - 29		31 - 27	93450-16115	2 - 13	95D32-08040	9 - 9	98502-06012	24 - 6
90240-08124	32 - 23	90480-01559	17 - 7	91702-08042	31 - 31	93501-04823	31 - 33	95D32-10035	28 - 4	98507-06025	32 - 19
90269-06816	18 - 12		29 - 9		31 - 40		31 - 42	95D37-08016	31 - 16	98512-06012	14 - 10
	19 - 7	90480-10003	39 - 6	91810-14809	1 - 16	93505-16844	13 - 23	95E32-06010	1 - 4	98907-04014	39 - 13
	19 - 12	90480-13001	39 - 4		1 - 17	93604-08071	2 - 20		1 - 21	99002-10600	16 - 6
	29 - 14	90480-13018	19 - 20		10 - 2	93605-06800	4 - 4		4 - 10	99009-10400	12 - 5

NUMERICAL INDEX

PART NO.	REF. NO.	PART NO.	REF. NO.	PART NO.	REF. NO.	PART NO.	REF. NO.	PART NO.	REF. NO.	PART NO.	REF. NO.
99009-20500	13 - 26										